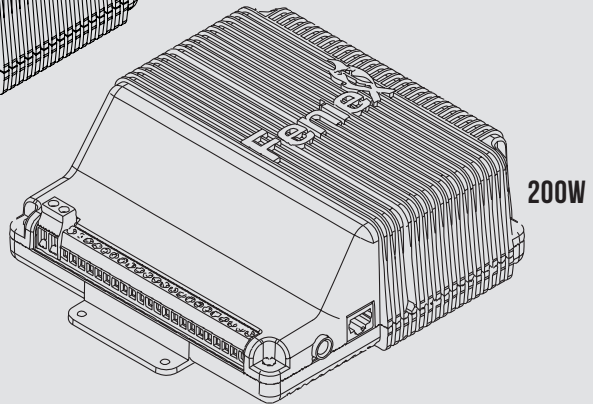
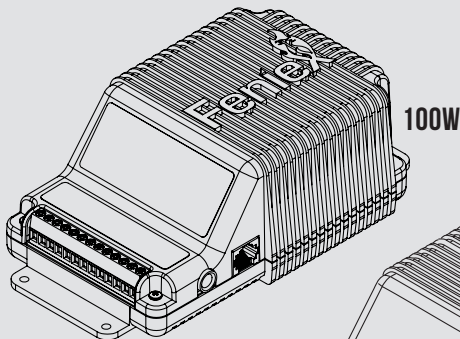


STORM PRO - Instruction Manual

V5.1



STORM PRO

Model # - C-4014, C-4015

This instruction manual serves as a guide for the **Storm Pro**.

IMPORTANT! Please read through all provided instructions and any listed warnings in regards to product use.

Distributed By:

SIRENNET[®]



Fenix Product Copyrights This price List and the mentioned Fenix products include or describe copyrighted Fenix material. Laws in the United States and other countries preserve for Fenix Industries and its licensors certain exclusive rights for copyrighted material, including the exclusive right to copy, reproduce in any form, distribute and make derivative works of the copyrighted material. Accordingly, any copyrighted material of Fenix and its licensors contained herein or in the Fenix products described in the Price List may not be copied, reproduced, distributed, merged or modified, transmitted, transcribed, stored in retrieval system or translated into any language or computer language, in any form or by any means, without prior written permission of Fenix Industries, Inc. Fenix and the stylized Fenix logo are registered in the U.S. Patent & Trademark Office.

Content Diagram

100W.....	3
200W.....	4

Mounting Instructions

100W.....	5
200W.....	6

Wiring Diagram

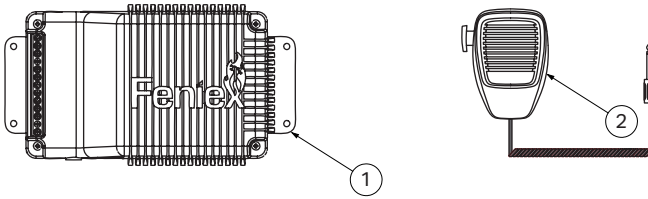
100W.....	7
200W.....	8
Wiring Explanation.....	9

List of Tones.....	10
--------------------	----



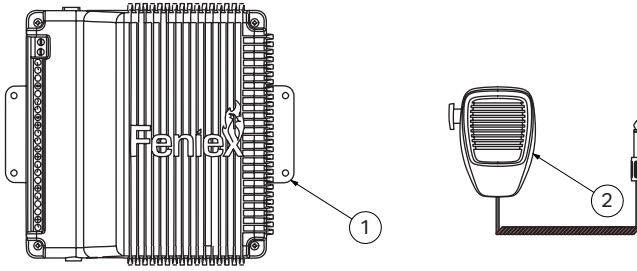
Warning! Any Storm unit with the below label is not compatible with the 4200 Data link model. Do not connect the RJ45 port on this unit to a 4200 datalink unit





1 Storm Pro 100W Siren System Specification:

Input Voltage:	12V DC
Temperature Range:	-20°C to +50°C
Max Current:	10A
Stand By Current:	Less than 30mA
Power Output:	100W
Main Fuse:	20A
Feature 1:	Horn Ring
Feature 2:	Park Kill
Feature 3:	Radio Rebroadcast
Feature 4:	21 Programmable Tones
Feature 5:	Included Mic
Speaker Impedance:	11 Ohm
Output Voltage:	35V RMS
Housing:	Aluminum
Siren Overload Protection	Turn off for 5 seconds then Auto Restart



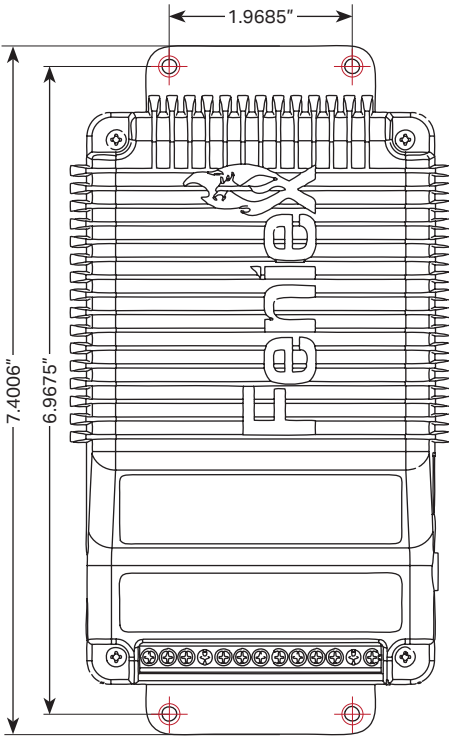
1 Storm Pro 200W Siren System Specification:

Input Voltage:	12V DC
Temperature Range:	-20°C to +50°C
Max Current:	20A
Stand By Current:	Less than 30mA
Power Output:	100W per Speaker, 200W Total
Main Fuse:	30A
Feature 1:	Horn Ring
Feature 2:	Park Kill
Feature 3:	Radio Rebroadcast
Feature 4:	Dual Tone Capable
Feature 5:	Dual Tone Delay Start
Feature 6:	21 Programmable Tones
Speaker Impedance:	11 Ohm
Output Voltage:	35V RMS
Housing:	Aluminum
Siren Overload Protection	Turn off for 5 seconds then Auto Restart

MOUNTING INSTRUCTIONS: 100W

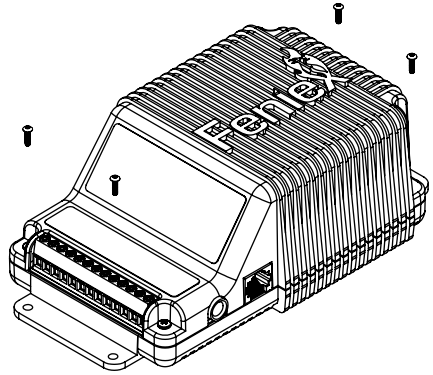
Mounting Instructions:

- 1.) Place the unit against the intended mounting surface.
- 2.) Mark the areas where the mounting holes will be drilled. If the mounting surface is part of the vehicle, make sure no vital components could be damaged by the drilling process.

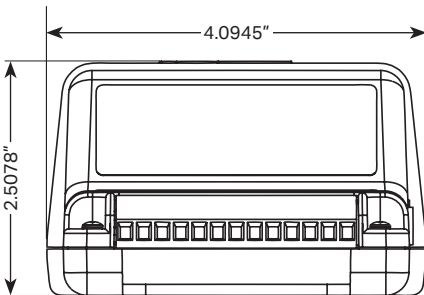


3.) Drill four 4mm mounting holes on the mounting surface, making sure no vital components of the surface are damaged.

4.) Make sure to deburr the holes thoroughly.

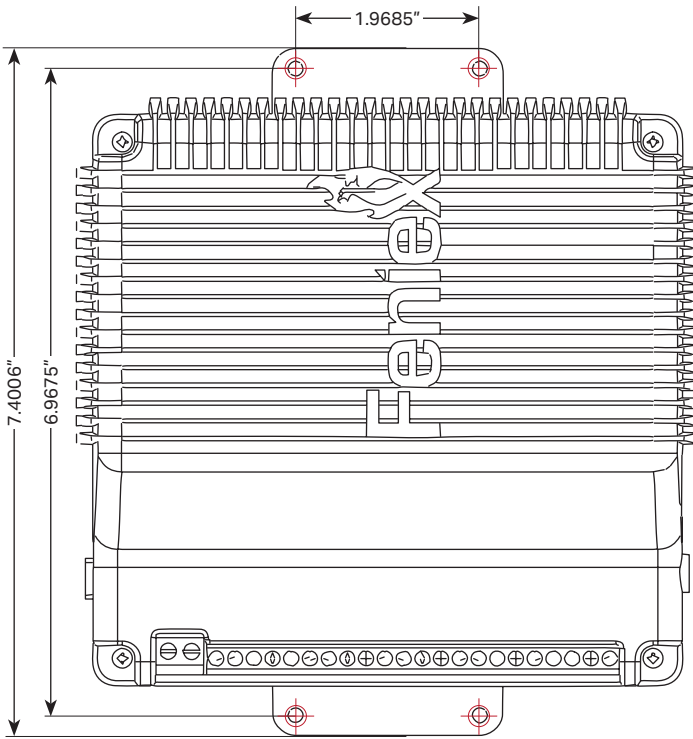


5.) Using customer provided screws, secure the Storm Pro to the mounting surface.

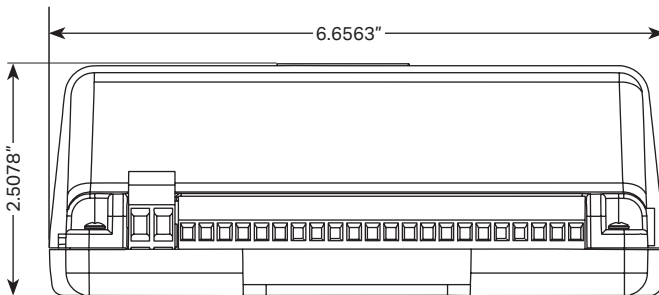


Mounting Instructions:

- 1.) Place the unit against the intended mounting surface.
- 2.) Mark the areas where the mounting holes will be drilled. If the mounting surface is part of the vehicle, make sure no vital components could be damaged by the drilling process.

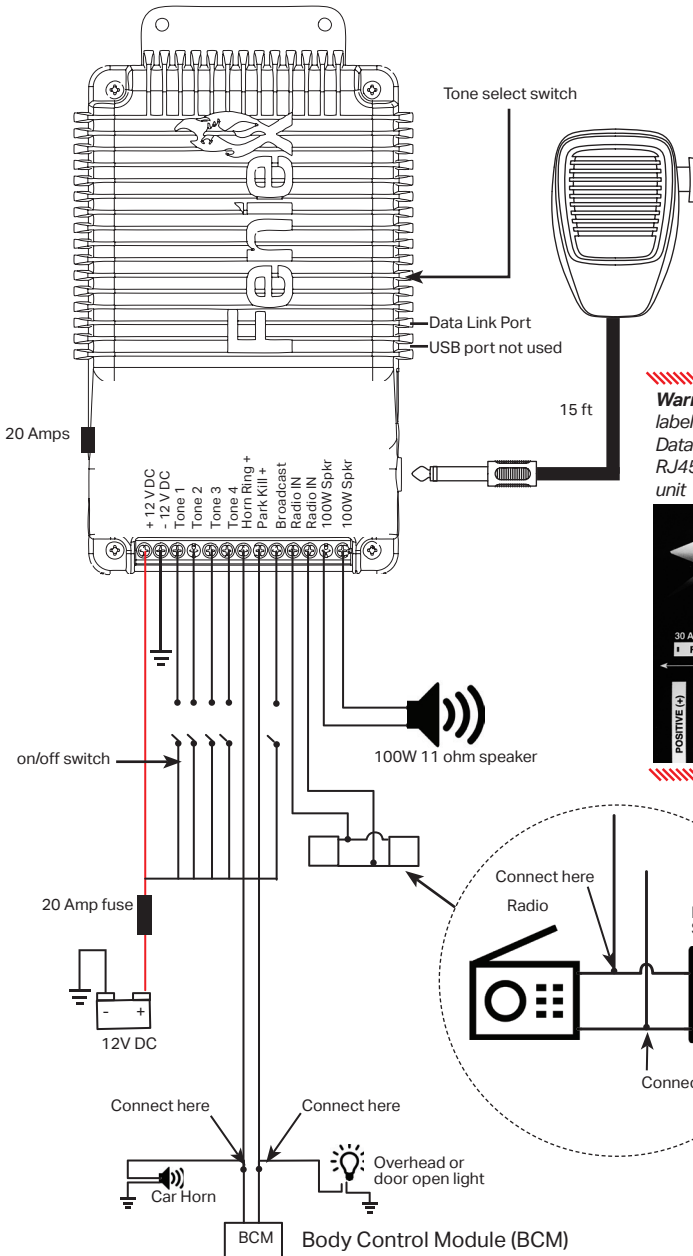


- 3.) Drill four 4mm mounting holes on the mounting surface, making sure no vital components of the surface are damaged.
- 4.) Make sure to deburr the holes thoroughly.
- 5.) Using customer provided screws, secure the Storm Pro to the mounting surface.

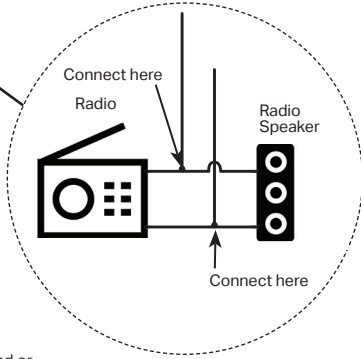


WIRING DIAGRAM: 100W

Park Kill and Horn Ring will activate on a + signal from the BCM. Every vehicle's BCM is different in terms of its output signal.

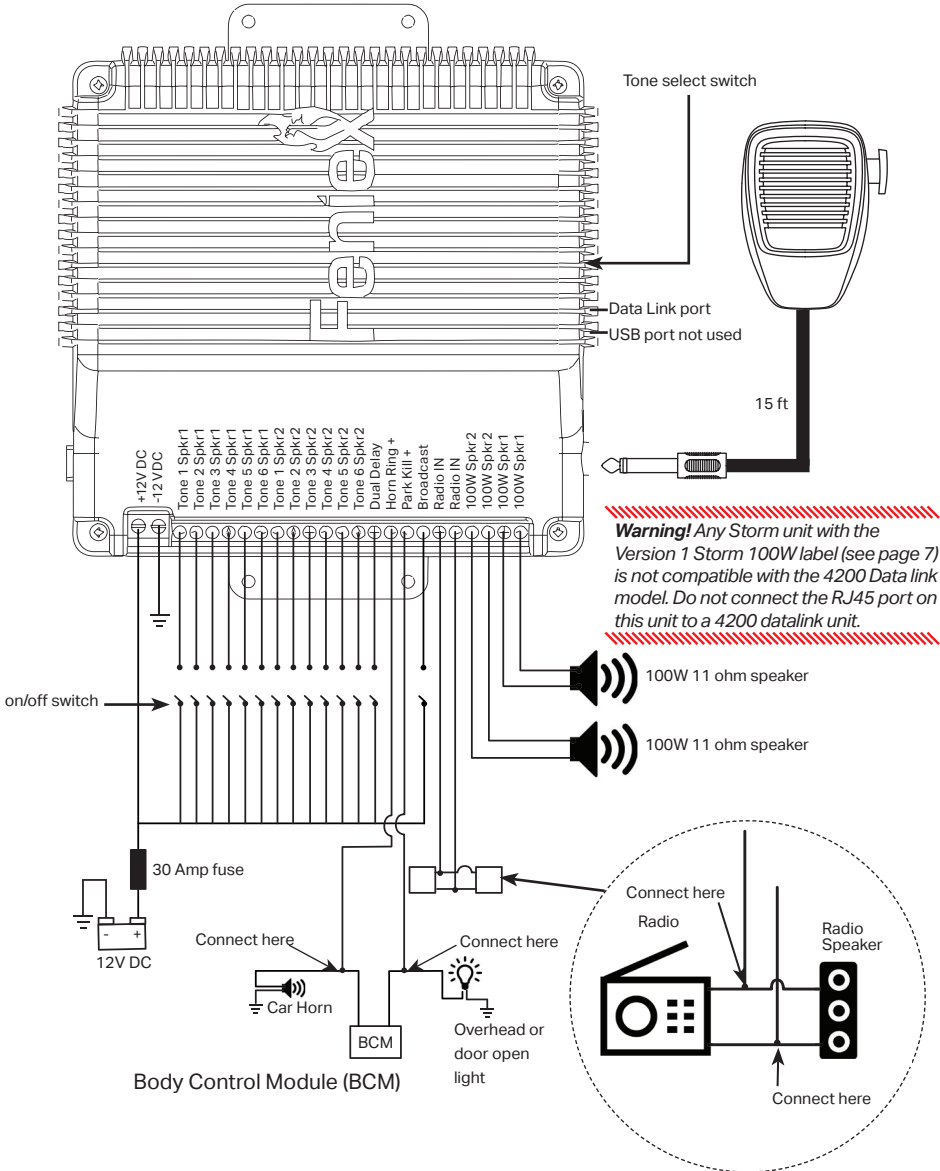


Warning! Any Storm unit with the below label is not compatible with the 4200 Data link model. Do not connect the RJ45 port on this unit to a 4200 datalink unit



WIRING DIAGRAM: 200W

Park Kill and Horn Ring will activate on a + signal from the BCM. Every vehicle's BCM is different in terms of its output signal.



Using Dual Delay

Dual Delay can be used when both speakers play the same standard siren tone. When Dual Delay is activated, the tones start playing out of sync to create the delay effect. Dual Delay applies only for standard siren tones with Dual Delay capability. Dual Delay does not affect audio tones.

Using Horn Ring

Horn Ring can be used as a standard vehicle horn or used to quickly switch between two standard siren tones. To use Horn Ring as a vehicle horn, simply do not activate any of the tone inputs. To use Horn Ring for tone switching, activate an input configured to a tone with Horn Ring capability. Momentarily activate the Horn Ring to switch between the configured tone and its alternate tone. Horn Ring does not affect audio tones.

Horn Ring Tone Pairs

Configure Tone	Alternate Tone
Wail	Yelp
Yelp	Fast Yelp
Fast Yelp	Phaser
Phaser	Horn
Horn	Mechanical
Mechanical	Phaser
Manual Wail	High / Low
High / Low	P Call Slow
P Call Slow	P Call Fast
P Call Fast	Phaser
Horn Phaser	Horn Yelp
Horn Yelp	Phaser Yelp
Phaser Yelp	Horn Phaser
Test Tone	Test Tone

Using Tone Select Switch

To cycle through tones activate desired port and momentarily press the tone selector switch to cycle to next tone.

Using Park Kill

Park Kill is used to deactivate any activated standard siren tone. Park Kill does not deactivate audio tones. Park Kill port can be connected to your vehicle ocerhead light or door open light so that thesiren is disabled when the door is opened

Using Radio Rebroadcast and Microphone

When either Radio Rebroadcast or the Microphone is activated, any activated tone, standard siren tone or audio tone, gets deactivated.

List of Current Standard Tones

Tone	Frequency Range
Wail	725-1500
Yelp	725-1600
Fast Yelp	725-1500
Phaser	650-1725
Horn	600 and 1200
Mechanical	770-1370
Manual Wail	725-1500
High/Low	550 and 750
P Call Slow	500-1075
P Call Fast	500-1075
Horn-Phaser	See Horn and Phaser
Horn-Yelp	See Horn and Yelp
Phaser-Yelp	See Phaser and Yelp

List of Current Audio Tones

Tone	Tone Type
Ectosiren	Siren
Bad Boys	Song
Move Out of the Way	Voice Command
Pull Over	Voice Command
Step Out of the Vehicle	Voice Command
Step Out Hands Up	Voice Command
Remain in Your Vehicle	Voice Command
Remain Window Down	Voice Command

Tone Priority Rule

For a single speaker, an activated tone with a higher input number overrides an activated tone with a lower input number. For example, if Tone 4 and Tone 3 are both activated for Speaker 1, the siren will play Tone 4 for Speaker 1.