



# Installation and Operation Instructions Directional LED

MR6 and MR6MC directional LEDs are bright and versatile warning lights that are suited to a wide variety of applications. Their low profile, narrow shape and multiple mounting options make them easy to install virtually anywhere on a vehicle. The four mounting options (surface, edge, self-adhesive and permanent) and 30 degrees of adjustable pivoting provide superior flexibility when positioning the lights for optimum warning capability. Both models offer multiple flash patterns and multiple units can be synchronized to operate either simultaneously or alternately with each other.



MR6 models feature 6 LEDs and are available in either single color or split-color\* (3 LEDs of each color) combinations with optics that provide single-axis light output. The MR6MC is a dual-color\* light featuring 12 LEDs (6 of each color) and is available in 7 color configurations with optics that offer wider, off-axis coverage.

\* Split Color = One horizontal row of LEDs is split 50/50 between the two colors (only one half of the light can illuminate in each color). Dual Color = Two horizontal rows of LEDs (one of each color) span the width of the light (the entire light can illuminate in each color)



## WARNING!

Failure to install or use this product according to manufacturers recommendations may result in property damage, serious injury, and/or death to those you are seeking to protect!



**Do not install and/or operate this safety product unless you have read and understand the safety information contained in this manual.**

1. Proper installation combined with operator training in the use, care, and maintenance of emergency warning devices are essential to ensure the safety of you and those you are seeking to protect.
2. Exercise caution when working with live electrical connections.
3. This product must be properly grounded. Inadequate grounding and/or shorting of electrical connections can cause high current arcing, which can cause personal injury and/or severe vehicle damage, including fire.
4. Proper placement and installation are vital to the performance of this warning device. Install this product so that output performance of the system is maximized and the controls are placed within convenient reach of the operator so that s/he can operate the system without losing eye contact with the roadway.
5. Do not install this product or route any wires in the deployment area of an air bag. Equipment mounted or located in an air bag deployment area may reduce the effectiveness of the air bag or become a projectile that could cause serious personal injury or death. Refer to the vehicle owner's manual for the air bag deployment area. It is the responsibility of the user/operator to determine a suitable mounting location ensuring the safety of all passengers inside the vehicle particularly avoiding areas of potential head impact.
6. It is the responsibility of the vehicle operator to ensure during use that all features of this product work correctly. In use, the vehicle operator should ensure the projection of the warning signal is not blocked by vehicle components (i.e., open trunks or compartment doors), people, vehicles or other obstructions.
7. The use of this or any other warning device does not ensure all drivers can or will observe or react to a warning signal. Never take the right-of-way for granted. It is your responsibility to be sure you can proceed safely before entering an intersection, driving against traffic, responding at a high rate of speed, or walking on or around traffic lanes.
8. This equipment is intended for use by authorized personnel only. The user is responsible for understanding and obeying all laws regarding warning signal devices. Therefore, the user should check all applicable city, state, and federal laws and regulations. The manufacturer assumes no liability for any loss resulting from the use of this warning device.

**CONTENTS:**

1	Light Head
1	Multi-Mount Base: Includes- 2- 4x15 Sheet metal screws 2- Split washers 2- M3.5x10 screws 2- M3 washers
1	Adhesive Pad
1	Edge Mount Bracket: Includes- 2- M3.5x10 screws
1	Surface Mount Bezel: Includes- 2- 4x15 Sheet metal screws 1- EVA foam gasket

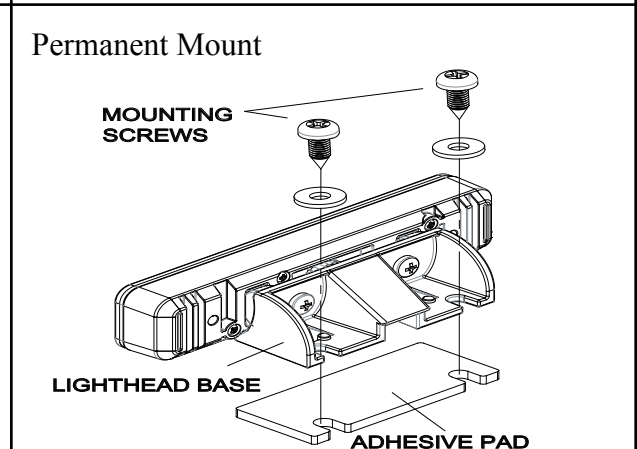
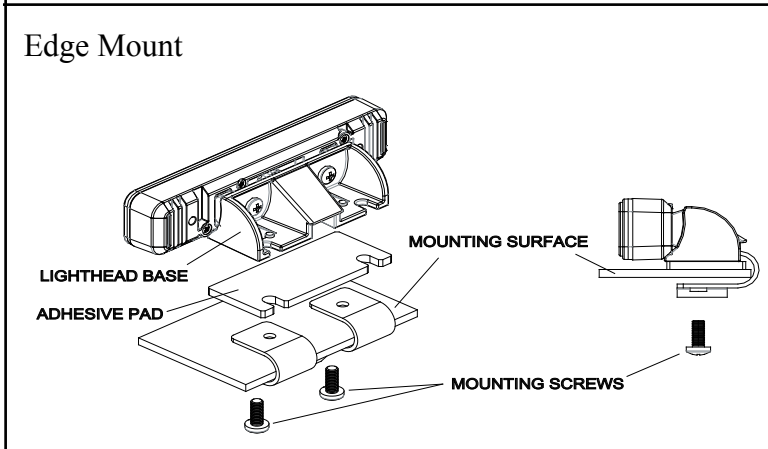
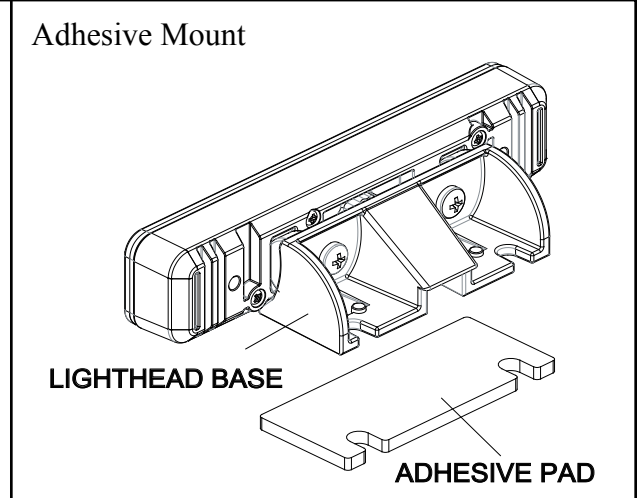
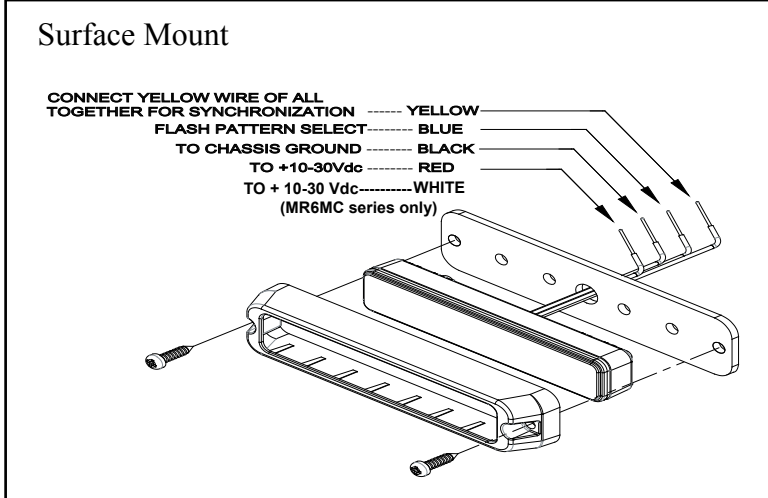
**SPECIFICATIONS:**

Input Voltage	12-24VDC
Work Current	MR6 = 0.9A Max @ DC12V MR6MC = 1.5A Max @ DC12V

**Important!** This unit is a safety device and it must be connected to its own separate, fused power point to assure its continued operation should any other electrical accessory fail.

**Caution:** When drilling into any vehicle surface, make sure the area is free from any electrical wires, fuel lines, vehicle upholstery, etc. that could be damaged

**Mounting:**



**Wire: MR6**

RED: Positive (need to add 2A Fuse)  
BLACK: Negative  
BLUE: Pattern Switch  
YELLOW: Synchronized Function  
(Up to 8 units can be Synchronized)

**Wire: MR6MC**

RED: Positive, Colors 1 & 3 (need to add 5A Fuse)  
WHITE: Positive, Colors 2 & 4 (need to add 5A Fuse)  
BLACK: Negative  
BLUE: Pattern Select to negative  
YELLOW: Synchronized Function  
(Up to 8 units can be Synchronized)

**Operation Environment:**

**Ambient Temperature:** -30 to 50°C

	RED	WHITE
PRODUCT	1 & 3 COLORS	2 & 4 COLORS
MR6MC-AG	AMBER	GREEN
MR6MC-AW	AMBER	WHITE
MR6MC-BA	AMBER	BLUE
MR6MC-BW	BLUE	WHITE
MR6TMC-RA	AMBER	RED
MR6MC-RB	RED	BLUE
MR6MC-RW	RED	WHITE

**Phase Operation:**

Phase 1 (Ph1) flashes simultaneously with Ph1  
 Phase 2 (Ph2) flashes simultaneously with Ph2  
 Ph1 alternates with Ph2  
 (Up to 8 units can be Synchronized)

**Apply BLUE TO BLACK wire:**

- Less than 1 sec. for next pattern
- Between 1-3 sec for previous pattern
- Between 3-5 sec. for factory default pattern
- More than 5 sec. for pattern 12 (MR6MC) and pattern 13 (MR6)

MR6 Series Flash Pattern Chart

PATTERN	MODE	PATTERNS	LAMP SYNCHRONIZE	SAE J595				CA T13			ECE R65		
				RED	AMBER	BLUE	WHITE	RED	AMBER	BLUE	RED	AMBER	BLUE
1	1	Single Flash 75FPM sim. Phase1	yes	Class 1	Class 1	Class 1	Class 1	Class B	Class B	Class B	N/C	N/C	N/C
	2	Single Flash 75FPM sim. Phase2	yes	Class 1	Class 1	Class 1	Class 1	Class B	Class B	Class B	N/C	N/C	N/C
	3	Single Flash 75FPM Alt.	yes	N/C	N/C	N/C	N/C	N/C	N/C	N/C	N/C	N/C	N/C
2	4	Single Flash 120FPM sim. Phase1	yes	Class 1	Class 1	Class 1	Class 1	N/C	N/C	N/C	Class 1	Class 1	Class 1
	5	Single Flash 120FPM sim. phase2	yes	Class 1	Class 1	Class 1	Class 1	N/C	N/C	N/C	Class 1	Class 1	Class 1
	6	Single Flash 120FPM Alt.	yes	N/C	N/C	N/C	N/C	N/C	N/C	N/C	N/C	N/C	N/C
3	7	Double Flash 75FPM sim. Phase1	yes	Class 1	Class 1	Class 1	Class 1	N/C	N/C	N/C	N/C	N/C	N/C
	8	Double Flash 75FPM sim. phase2	yes	Class 1	Class 1	Class 1	Class 1	N/C	N/C	N/C	N/C	N/C	N/C
	9	Double Flash 75FPM Alt.	yes	N/C	N/C	N/C	N/C	N/C	N/C	N/C	N/C	N/C	N/C
4	10	Double Flash 120FPM sim. Phase1	yes	Class 1	Class 1	Class 1	Class 1	N/C	N/C	N/C	Class 1	Class 1	Class 1
	11	Double Flash 120FPM sim. phase2	yes	Class 1	Class 1	Class 1	Class 1	N/C	N/C	N/C	Class 1	Class 1	Class 1
	12	Double Flash 120FPM Alt.	yes	N/C	N/C	N/C	N/C	N/C	N/C	N/C	N/C	N/C	N/C
5	13-Default	Quad Flash 75FPM sim. Phase1	yes	Class 1	Class 1	Class 1	Class 2	N/C	N/C	N/C	N/C	N/C	N/C
	14	Quad Flash 75FPM sim. Phase2	yes	Class 1	Class 1	Class 1	Class 2	N/C	N/C	N/C	N/C	N/C	N/C
	15	Quad Flash 75FPM Alt.	yes	N/C	N/C	N/C	N/C	N/C	N/C	N/C	N/C	N/C	N/C
6	16	Quad Flash 150FPM sim. Phase1	yes	Class 1	Class 1	Class 1	Class 2	N/C	N/C	N/C	N/C	N/C	N/C
	17	Quad Flash 150FPM sim. Phase2	yes	Class 1	Class 1	Class 1	Class 2	N/C	N/C	N/C	N/C	N/C	N/C
	18	Quad Flash 150FPM Alt	yes	N/C	N/C	N/C	N/C	N/C	N/C	N/C	N/C	N/C	N/C
7	19	Triple 75FPM sim. Phase1	yes	Class 1	Class 1	Class 1	Class 1	N/C	N/C	N/C	N/C	N/C	N/C
	20	Triple 75FPM sim. Phase2	yes	Class 1	Class 1	Class 1	Class 1	N/C	N/C	N/C	N/C	N/C	N/C
	21	Triple 75FPM Alt.	yes	N/C	N/C	N/C	N/C	N/C	N/C	N/C	N/C	N/C	N/C
8	22	Quint Flash 150FPM sim. Phase1	yes	Class 1	Class 1	Class 1	Class 2	N/C	N/C	N/C	N/C	N/C	N/C
	23	Quint Flash 150FPM sim. Phase2	yes	Class 1	Class 1	Class 1	Class 2	N/C	N/C	N/C	N/C	N/C	N/C
	24	Quint Flash 150FPM Alt.	yes	N/C	N/C	N/C	N/C	N/C	N/C	N/C	N/C	N/C	N/C
9	25	Steady - Single	No	N/C	N/C	N/C	N/C	N/C	N/C	N/C	N/C	N/C	N/C
10	26	Steady Burn	No	N/C	N/C	N/C	N/C	N/C	N/C	N/C	N/C	N/C	N/C
11	27	Modulation	No	N/C	N/C	N/C	N/C	N/C	N/C	N/C	N/C	N/C	N/C
12	28	2 Double Flash,2 Triple Alt.	No	N/C	N/C	N/C	N/C	N/C	N/C	N/C	N/C	N/C	N/C
13	29	4 Single Flash ,2 Quad Flash Alt.	No	N/C	N/C	N/C	N/C	N/C	N/C	N/C	N/C	N/C	N/C

## MR6MC Series Flash Pattern Chart

PAT- TERN	LED Color 2 & Color 4 White line	LED Color 1 & Color 3 Red line	LED Color 1 & Color 3 LED Color 2 & Color 4 White & Red line	MR6MC FLASH PATTERN	SYNCH	SAE J595				CAT 13			ECE R65			
						RED	AMBER	BLUE	WHITE	RED	AMBER	BLUE	RED	AMBER	BLUE	
1	1-DE- FAULT		1	SAE/T13 SAE/T13 Single 75FPM Ph1 Color 1 Synchronous Color 3	YES	Class 1	Class 1	Class 1	Class 1	Class B	Class B	Class B	N/C	N/C	N/C	
			2	SAE/T13 Single 75 FPM Ph2 color 1 Synchronous Color 3	YES	Class 1	Class 1	Class 1	Class 1	Class B	Class B	Class b	N/C	N/C	N/C	
			3	SAE/T13 Single 75FPM Ph1 Color 1 Alternately Color 4	YES	N/C	N/C	N/C	N/C	N/C	N/C	N/C	N/C	N/C	N/C	N/C
			4	SAE/T13 Single 75FPM Ph2 Color 1 Alternately Color 4	YES	N/C	N/C	N/C	N/C	N/C	N/C	N/C	N/C	N/C	N/C	N/C
		1-Default	5	SAE/T13 Single 75FPM Ph1 Color 2 Synchronous Color 4	YES	Class 1	Class 1	Class 1	Class 1	Class B	Class B	Class B	N/C	N/C	N/C	N/C
		2	6	SAE/T13 Single 75FPM Ph2 Color 2 Synchronous Color 4	YES	Class 1	Class 1	Class 1	Class 1	Class B	Class B	Class B	N/C	N/C	N/C	N/C
	3	3	7	SAE/T13 Single 75FPM (Color 1 Synchronous Color 3) Alternately (Color 2 Synchronous Color 4)	YES	N/C	N/C	N/C	N/C	N/C	N/C	N/C	N/C	N/C	N/C	N/C
	4	4	8	SAE/T13 Single 75FPM (Color 1 Alternately Color 2) Alternately (Color 3 Alternately Color 4)	YES	N/C	N/C	N/C	N/C	N/C	N/C	N/C	N/C	N/C	N/C	N/C
2			9	Single 375FPMFPM Ph1 Color 1 Synchronous Color 3	YES	N/C	N/C	N/C	N/C	N/C	N/C	N/C	N/C	N/C	N/C	N/C
			10	Single 375FPMFPM Ph2 Color 1 Synchronous Color 3	YES	N/C	N/C	N/C	N/C	N/C	N/C	N/C	N/C	N/C	N/C	N/C
			11	Single 375FPMFPM Ph1 Color 1 Alternately Color 4	YES	N/C	N/C	N/C	N/C	N/C	N/C	N/C	N/C	N/C	N/C	N/C
			12	Single 375FPMFPM Ph2 Color 1 Alternately Color 4	YES	N/C	N/C	N/C	N/C	N/C	N/C	N/C	N/C	N/C	N/C	N/C
		5	13	Single 375FPMFPM Ph1 Color 2 Synchronous Color 4	YES	N/C	N/C	N/C	N/C	N/C	N/C	N/C	N/C	N/C	N/C	N/C
		6	14	Single 375FPMFPM Ph2 Color 2 Synchronous Color 4	YES	N/C	N/C	N/C	N/C	N/C	N/C	N/C	N/C	N/C	N/C	N/C
	7	7	15	Single 375FPMFPM (Color 1 Synchronous Color 3) Alternately (Color 2 Synchronous Color 4)	YES	N/C	N/C	N/C	N/C	N/C	N/C	N/C	N/C	N/C	N/C	N/C
	8	8	16	Single 375FPMFPM (Color 1 Alternately Color 2) Alternately (Color 3 Alternately Color 4)	YES	N/C	N/C	N/C	N/C	N/C	N/C	N/C	N/C	N/C	N/C	N/C
3			17	SAE/T13 Double 75FPM Ph1 Color 1 Synchronous Color 3	YES	Class 1	Class 1	Class 1	Class 1	N/C	N/C	N/C	N/C	N/C	N/C	
			18	SAE/T13 Double 75FPM Ph2 Color 1 Synchronous Color 3	YES	Class 1	Class 1	Class 1	Class 1	N/C	N/C	N/C	N/C	N/C	N/C	
			19	SAE/T13 Double 75FPM Ph1 Color 1 Alternately Color 4	YES	N/C	N/C	N/C	N/C	N/C	N/C	N/C	N/C	N/C	N/C	N/C
			20	SAE/T13 Double 75FPM Ph2 Color 1 Alternately Color 4	YES	N/C	N/C	N/C	N/C	N/C	N/C	N/C	N/C	N/C	N/C	N/C
		9	21	SAE/T13 Double 75FPM Ph1 Color 2 Synchronous Color 4	YES	Class 1	Class 1	Class 1	Class 1	N/C	N/C	N/C	N/C	N/C	N/C	N/C
		10	22	SAE/T13 Double 75FPM Ph2 Color 2 Synchronous Color 4	YES	Class 1	Class 1	Class 1	Class 1	N/C	N/C	N/C	N/C	N/C	N/C	N/C
	11	11	23	SAE/T13 Double 75FPM (Color 1 Synchronous Color 3) Alternately (Color 2 Synchronous Color 4)	YES	N/C	N/C	N/C	N/C	N/C	N/C	N/C	N/C	N/C	N/C	N/C
	12	12	24	SAE/T13 Double 75FPM (Color 1 Alternately Color 2) Alternately (Color 3 Alternately Color 4)	YES	N/C	N/C	N/C	N/C	N/C	N/C	N/C	N/C	N/C	N/C	N/C
4			25	ECER65/SAE Double 120FPM Ph1 Color 1 Synchronous Color 3	YES	Class 1	Class 1	Class 1	Class 1	N/C	N/C	N/C	Class 1	Class 1	Class 1	
			26	ECER65/SAE Double 120FPM Ph2 Color 1 Synchronous Color 3	YES	Class 1	Class 1	Class 1	Class 1	N/C	N/C	N/C	Class 1	Class 1	Class 1	
			27	ECER65/SAE Double 120FPM Ph1 Color 1 Alternately Color 4	YES	N/C	N/C	N/C	N/C	N/C	N/C	N/C	N/C	N/C	N/C	
			28	ECER65/SAE Double 120FPM Ph2 Color 1 Alternately Color 4	YES	N/C	N/C	N/C	N/C	N/C	N/C	N/C	N/C	N/C	N/C	
		13	29	ECER65/SAE Double 120FPM Ph1 Color 2 Synchronous Color 4	YES	Class 1	Class 1	Class 1	Class 1	N/C	N/C	N/C	Class 1	Class 1	Class 1	
		14	30	ECER65/SAE Double 120FPM Ph2 Color 2 Synchronous Color 4	YES	Class 1	Class 1	Class 1	Class 1	N/C	N/C	N/C	Class 1	Class 1	Class 1	
	15	15	31	ECER65/SAE Double 120FPM (Color 1 Synchronous Color 3) Alternately (Color 2 Synchronous Color 4)	YES	N/C	N/C	N/C	N/C	N/C	N/C	N/C	N/C	N/C	N/C	
	16	16	32	ECER65/SAE Double 120FPM (Color 1 Alternately Color 2) Alternately (Color 3 Alternately Color 4)	YES	N/C	N/C	N/C	N/C	N/C	N/C	N/C	N/C	N/C	N/C	

## MR6MC Series Flash Pattern Chart

PAT- TERN	LED Color 2 & Color 4 White line	LED Color 1 & Color 3 Red line	LED Color 1 & Color 3 LED Color 2 & Color 4 White & Red line	ED3712 FLASH PATTERN	SYNCH	SAE J595				CAT 13			ECE R65		
						RED	AMBER	BLUE	WHITE	RED	AMBER	BLUE	RED	AMBER	BLUE
5	17		33	SAE/T13 Triple 75FPM Ph1 Color 1 Synchronous Color 3	YES	Class 1	Class 1	Class 1	Class 2	N/C	N/C	N/C	N/C	N/C	N/C
	18		34	SAE/T13 Triple 75FPM Ph2 Color 1 Synchronous Color 3	YES	Class 1	Class 1	Class 1	Class 2	N/C	N/C	N/C	N/C	N/C	N/C
			35	SAE/T13 Triple 75FPM Ph1 Color 1 Alternately Color 4	YES	N/C	N/C	N/C	N/C	N/C	N/C	N/C	N/C	N/C	N/C
			36	SAE/T13 Triple 75FPM Ph2 Color 1 Alternately Color 4	YES	N/C	N/C	N/C	N/C	N/C	N/C	N/C	N/C	N/C	N/C
		17	37	SAE/T13 Triple 75FPM Ph1 Color 2 Synchronous Color 4	YES	Class 1	Class 1	Class 1	Class 2	N/C	N/C	N/C	N/C	N/C	N/C
		18	38	SAE/T13 Triple 75FPM Ph2 Color 2 Synchronous Color 4	YES	Class 1	Class 1	Class 1	Class 2	N/C	N/C	N/C	N/C	N/C	N/C
		19	39	SAE/T13 Triple 75FPM (Color 1 Synchronous Color 3) Alternately (Color 2 Synchronous Color 4)	YES	N/C	N/C	N/C	N/C	N/C	N/C	N/C	N/C	N/C	N/C
		20	40	SAE/T13 Triple 75FPM (Color 1 Alternately Color 2) Alternately (Color 3 Alternately Color 4)	YES	N/C	N/C	N/C	N/C	N/C	N/C	N/C	N/C	N/C	N/C
6	21		41	SAE/T13 Quad 75FPM Ph1 Color 1 Synchronous Color 3	YES	Class 1	Class 1	Class 1	Class 2	N/C	N/C	N/C	N/C	N/C	N/C
	22		42	SAE/T13 Quad 75FPM Ph2 Color 1 Synchronous Color 3	YES	Class 1	Class 1	Class 1	Class 2	N/C	N/C	N/C	N/C	N/C	N/C
			43	SAE/T13 Quad 75FPM Ph1 Color 1 Alternately Color 4	YES	N/C	N/C	N/C	N/C	N/C	N/C	N/C	N/C	N/C	N/C
			44	SAE/T13 Quad 75FPM Ph2 Color 1 Alternately Color 4	YES	N/C	N/C	N/C	N/C	N/C	N/C	N/C	N/C	N/C	N/C
		21	45	SAE/T13 Quad 75FPM Ph1 Color 2 Synchronous Color 4	YES	Class 1	Class 1	Class 1	Class 2	N/C	N/C	N/C	N/C	N/C	N/C
		22	46	SAE/T13 Quad 75FPM Ph2 Color 2 Synchronous Color 4	YES	Class 1	Class 1	Class 1	Class 2	N/C	N/C	N/C	N/C	N/C	N/C
		23	23	1-Default SAE/T13 Quad 75FPM (Color 1 Synchronous Color 3) Alternately (Color 2 Synchronous Color 4)	YES	N/C	N/C	N/C	N/C	N/C	N/C	N/C	N/C	N/C	N/C
		24	24	48 SAE/T13 Quad 75FPM (Color 1 Alternately Color 2) Alternately (Color 3 Alternately Color 4)	YES	N/C	N/C	N/C	N/C	N/C	N/C	N/C	N/C	N/C	N/C
7	25		49	ECER65/SAE Quad 120FPM Ph1 Color 1 Synchronous Color 3	YES	Class 1	Class 1	Class 1	Class 2	N/C	N/C	N/C	N/C	N/C	N/C
	26		50	ECER65/SAE Quad 120FPM Ph2 Color 1 Synchronous Color 3	YES	Class 1	Class 1	Class 1	Class 2	N/C	N/C	N/C	N/C	N/C	N/C
			51	ECER65/SAE Quad 120FPM Ph1 Color 1 Alternately Color 4	YES	N/C	N/C	N/C	N/C	N/C	N/C	N/C	N/C	N/C	N/C
			52	ECER65/SAE Quad 120FPM Ph2 Color 1 Alternately Color 4	YES	N/C	N/C	N/C	N/C	N/C	N/C	N/C	N/C	N/C	N/C
		25	53	ECER65/SAE Quad 120FPM Ph1 Color 2 Synchronous Color 4	YES	Class 1	Class 1	Class 1	Class 2	N/C	N/C	N/C	N/C	N/C	N/C
		26	54	ECER65/SAE Quad 120FPM Ph2 Color 2 Synchronous Color 4	YES	Class 1	Class 1	Class 1	Class 2	N/C	N/C	N/C	N/C	N/C	N/C
		27	27	55 ECER65/SAE Quad 120FPM (Color 1 Synchronous Color 3) Alternately (Color 2 Synchronous Color 4)	YES	N/C	N/C	N/C	N/C	N/C	N/C	N/C	N/C	N/C	N/C
		28	28	56 ECER65/SAE Quad 120FPM (Color 1 Alternately Color 2) Alternately (Color 3 Alternately Color 4)	YES	N/C	N/C	N/C	N/C	N/C	N/C	N/C	N/C	N/C	N/C
8			57 Modulation (Color 1 Synchronous Color 3) Alternately (Color 2 Synchronous Color 4)	NO	N/C	N/C	N/C	N/C	N/C	N/C	N/C	N/C	N/C	N/C	
9			58 2 Double,2 Quad (Color 1 Synchronous Color 3) Alternately (Color 2 Synchronous Color 4)	NO	N/C	N/C	N/C	N/C	N/C	N/C	N/C	N/C	N/C	N/C	
10			59 4 Single,2 Triple (Color 1 Synchronous Color 3) Alternately (Color 2 Synchronous Color 4)	NO	N/C	N/C	N/C	N/C	N/C	N/C	N/C	N/C	N/C	N/C	
11			60 1Double 1Triple 1Quad (Color 1 Synchronous Color 3) Alternately (Color 2 Synchronous Color 4)	NO	N/C	N/C	N/C	N/C	N/C	N/C	N/C	N/C	N/C	N/C	
12	29		61 Steady burn-Color 1 & 3	NO	N/C	N/C	N/C	N/C	N/C	N/C	N/C	N/C	N/C	N/C	
		29	62 Steady burn-Color 2 & 4	NO	N/C	N/C	N/C	N/C	N/C	N/C	N/C	N/C	N/C	N/C	

## Trouble Shooting

The MR6-MR6MC series has been factory tested and approved. If the functions of the device fail, please check the following:

1. After connecting with the power supply, be sure that the power source end is joined correctly. Make sure there is not a short circuit.
2. Plug in the device; ensure the LED power switch is on.

### Manufacturer Limited Warranty and Limitation of Liability:

Manufacturer warrants that on the date of purchase this product will conform to Manufacturer's specifications for this product (which are available from the Manufacturer upon request), and Manufacturer further warrants that this product is free from defects in materials and workmanship. This Limited Warranty extends for thirty-six (36) months from the date of purchase. Other warranties may apply, call Manufacturer for details. Manufacturer will, at its discretion, repair or replace any product found by the Manufacturer to be defective and subject to this Limited Warranty.

DAMAGE TO PARTS OR PRODUCTS RESULTING FROM TAMPERING, ACCIDENT, ABUSE, MISUSE, NEGLIGENCE, UNAPPROVED MODIFICATIONS, FIRE OR OTHER HAZARD; IMPROPER INSTALLATION OR OPERATION; OR NOT BEING MAINTAINED IN ACCORDANCE WITH THE MAINTENANCE PROCEDURES SET FORTH IN MANUFACTURER'S INSTALLATION AND OPERATING INSTRUCTIONS VOIDS THIS LIMITED WARRANTY.

ORAL STATEMENTS OR REPRESENTATIONS ABOUT THE PRODUCT WHICH MAY HAVE BEEN MADE BY SALESPEOPLE, DEALERS, AGENTS OR OTHER MANUFACTURER'S REPRESENTATIVES DO NOT CONSTITUTE WARRANTIES. THIS LIMITED WARRANTY MAY NOT BE AMENDED, MODIFIED, OR ENLARGED EXCEPT BY A WRITTEN AGREEMENT SIGNED BY AN AUTHORIZED OFFICIAL OF MANUFACTURER WHICH EXPRESSLY REFERS TO THIS LIMITED WARRANTY.

Exclusion of Other Warranties: MANUFACTURER MAKES NO OTHER WARRANTIES, EXPRESS OR IMPLIED. THE IMPLIED WARRANTIES FOR MERCHANTABILITY OR FITNESS FOR A PARTICULAR PURPOSE ARE HEREBY EXCLUDED AND SHALL NOT APPLY TO THE PRODUCT. BUYER'S SOLE AND EXCLUSIVE REMEDY IN CONTRACT, TORT, OR UNDER ANY OTHER THEORY AGAINST MANUFACTURER REGARDING THE PRODUCT AND ITS USE SHALL BE THE REPLACEMENT OR REPAIR OF THE PRODUCT AS DESCRIBED ABOVE.

Limitation of Liability: IN THE EVENT OF LIABILITY FOR DAMAGES ARISING OUT OF THIS LIMITED WARRANTY OR ANY OTHER CLAIM RELATED TO THE MANUFACTURER'S PRODUCTS, MANUFACTURER'S LIABILITY FOR DAMAGES SHALL BE LIMITED TO THE AMOUNT PAID FOR THE PRODUCT AT THE TIME OF THE ORIGINAL PURCHASE. IN NO EVENT SHALL MANUFACTURER BE LIABLE FOR LOST PROFITS, THE COST OF SUBSTITUTE EQUIPMENT OR LABOR, PROPERTY DAMAGE, OR OTHER SPECIAL, CONSEQUENTIAL, OR INCIDENTAL DAMAGES BASED UPON ANY CLAIM FOR BREACH OF CONTRACT, IMPROPER INSTALLATION, NEGLIGENCE, OR OTHER CLAIM, EVEN IF MANUFACTURER OR A MANUFACTURER'S REPRESENTATIVE HAS BEEN ADVISED OF THE POSSIBILITY OF SUCH DAMAGES. MANUFACTURER SHALL HAVE NO FURTHER OBLIGATION OR LIABILITY WITH RESPECT TO THE PRODUCT OR ITS SALE, OPERATION AND USE, AND MANUFACTURER NEITHER ASSUMES NOR AUTHORIZES THE ASSUMPTION OF ANY OTHER OBLIGATION OR LIABILITY IN CONNECTION WITH SUCH PRODUCT.

This Limited Warranty defines specific legal rights. You may have other legal rights, which vary from state to state. Some states do not allow the exclusion or limitation of incidental or consequential damages.



10986 North Warson Road  
St. Louis, MO 63114

Technical Service:  
(314) 996-2800

c3\_tech\_support@code3esg.com  
www.code3esg.com

A Division of ESG | www.eccogroup.com