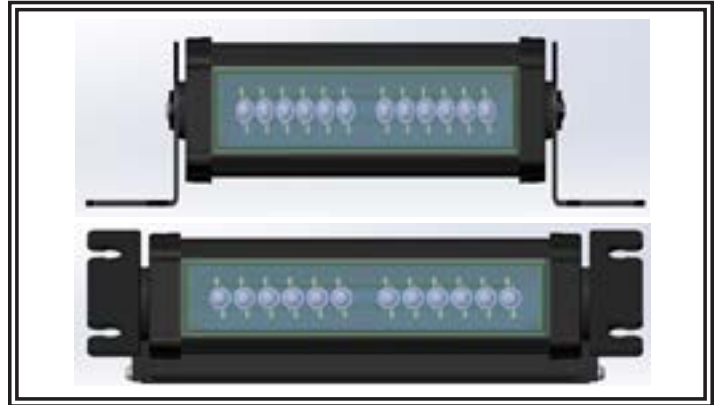


Available in various colour combinations, the CD3766 Directional LED is a window or deck mount, dual color warning light that is ideal for a wide variety of auxiliary warning applications. Featuring a linear optic, 12 high intensity LEDs (6 per color), 12 flash patterns, synchronization capability and encapsulated electronics, the CD3766 is an extremely bright, versatile and robust warning light.



### WARNING!

Failure to install or use this product according to manufacturers recommendations may result in property damage, serious injury, and/or death to those you are seeking to protect!



**Do not install and/or operate this safety product unless you have read and understand the safety information contained in this manual.**

1. Proper installation combined with operator training in the use, care, and maintenance of emergency warning devices are essential to ensure the safety of you and those you are seeking to protect.
2. Exercise caution when working with live electrical connections.
3. This product must be properly grounded. Inadequate grounding and/or shorting of electrical connections can cause high current arcing, which can cause personal injury and/or severe vehicle damage, including fire.
4. Proper placement and installation are vital to the performance of this warning device. Install this product so that output performance of the system is maximized and the controls are placed within convenient reach of the operator so that s/he can operate the system without losing eye contact with the roadway.
5. Do not install this product or route any wires in the deployment area of an air bag. Equipment mounted or located in an air bag deployment area may reduce the effectiveness of the air bag or become a projectile that could cause serious personal injury or death. Refer to the vehicle owner's manual for the air bag deployment area. It is the responsibility of the user/operator to determine a suitable mounting location ensuring the safety of all passengers inside the vehicle particularly avoiding areas of potential head impact.
6. It is the responsibility of the vehicle operator to ensure during use that all features of this product work correctly. In use, the vehicle operator should ensure the projection of the warning signal is not blocked by vehicle components (i.e., open trunks or compartment doors), people, vehicles or other obstructions.
7. The use of this or any other warning device does not ensure all drivers can or will observe or react to a warning signal. Never take the right-of-way for granted. It is your responsibility to be sure you can proceed safely before entering an intersection, driving against traffic, responding at a high rate of speed, or walking on or around traffic lanes.
8. This equipment is intended for use by authorized personnel only. The user is responsible for understanding and obeying all laws regarding warning signal devices. Therefore, the user should check all applicable city, state, and federal laws and regulations. The manufacturer assumes no liability for any loss resulting from the use of this warning device.

Distributed By:

The logo for SIRENNET, featuring the word "SIRENNET" in a large, bold, blue, sans-serif font with a red outline. A small registered trademark symbol (®) is located to the upper right of the text.

## CONTENTS:

1	Window Mount Light Head
2	Dash Mounting Brackets
4	Suction Cups
2	Foam Tape
4	Screws
1	Installation Guide

## SPECIFICATIONS:

Input Voltage	12-24VDC
Work Current	0.9A Max @ DC12V 0.5A Max @ DC24V
Physical H x W x L (Window/Dash)	W 53.2mm x 88.5mm x 200.8mm D 54mm x 68mm x 242.1mm
Ship Weight	0.68 Kg

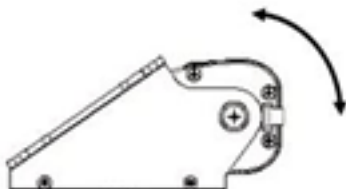
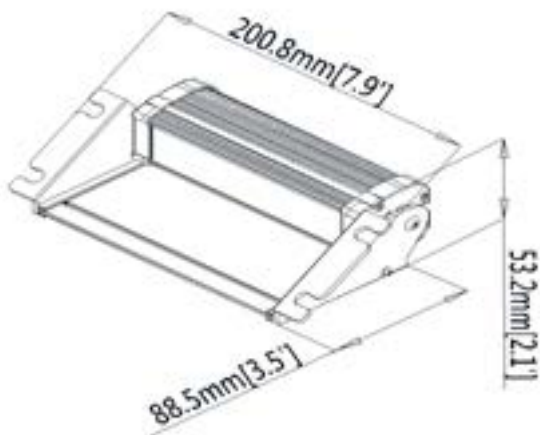
**Important!** This unit is a safety device and it must be connected to its own separate, fused power point to assure its continued operation should any other electrical accessory fail.

## Mounting:

### Windshield Mounting:

1. Determine light location and ensure that it is free of any obstacles that may impede light output. Adjust the light to the desired angle by loosening the screws located on each end, adjust then retighten.
2. Install on windshield: Ensure glass is clean and dry prior to installation. Suction Cup Mounting requires the bracket to be in contact with the dashboard while secured to the windshield. For tape applications, apply at surface/ambient temperature > 15°C and allow 20 minutes to cure.

**Note:** Suction mounting systems are affected by changes in environmental conditions and should therefore be checked regularly to ensure integrity.



**Caution:** When drilling into any vehicle surface, make sure the area is free from any electrical wires, fuel lines, vehicle upholstery, etc. that could be damaged

### Dual Switch Cigarette Plug (3A fuse inside)

Note: The PLUG types do not have synchronization.

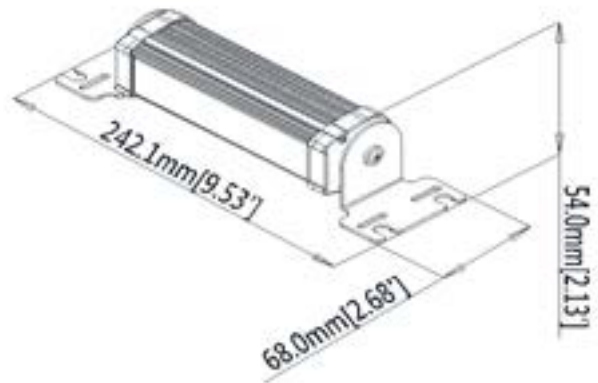
\*The switch which has a LED is Power on/off switch.

\*The other switch is the pattern switch.

\*Cable Length: 275 cm (9 foot) Cable.

### Dash Mounting:

1. Remove the windshield mount and install the dash mount brackets.
2. Screw the lighthouse into position with the 4 supplied screws.



## Wiring:

To permanently hardwire the unit please remove the Plug and find the internal wiring as below:

RED: Positive (Need to add 5A Fuse)

BLACK: Negative

BLUE: Pattern Switch

YELLOW: Synchronized Function

(Up to 8 units can be Synchronized)

WHITE: Positive, colors 2 & 4 (Need to add 5A Fuse)

## Operation Environment:

**Ambient Temperature:** -30 to 50°C

## Phase Operation:

Phase 1 (Ph1) flashes simultaneously with Ph1

Phase 2 (Ph2) flashes simultaneously with Ph2

Ph1 alternates with Ph2

(Up to 8 units can be Synchronized)

## Push pattern switch or apply blue to black wire:

-Less than 1 sec. for next pattern

-Between 1-3 sec for previous pattern

-Between 3-5 sec. for factory default (P30)

-More than 5 sec. for turn off

**CD3766 Flash Pattern**

Pattern	LED Color 2 & Color 4 White Line	LED Color 1 & Color 3 Red Line	LED Color 1 & Color 3 LED Color 2 & Color 4 White & Red Line	CD3766 FLASH PATTERN	SYNCH	SAE J595				CAT 13			ECE R65			
						RED	AMBER	BLUE	WHITE	RED	AMBER	BLUE	RED	AMBER	BLUE	
1	1-Default		1	SAE/T13 SAE/T13 Single 75FPM Ph1 Color 1 Synchronous Color 3	yes	Class 1	Class 1	Class 1	Class 1	ClassB	ClassB	ClassB	N/C	N/C	N/C	
	2		2	SAE/T13 SAE/T13 Single 75FPM Ph2 Color 1 Synchronous Color 3	yes	Class 1	Class 1	Class 1	Class 1	Class B	Class B	Class B	N/C	N/C	N/C	
			3	SAE/T13 Single 75FPM Ph1 Color 1 Alternately Color 4	yes	N/C	N/C	N/C	N/C	N/C	N/C	N/C	N/C	N/C	N/C	N/C
			4	SAE/T13 Single 75FPM Ph2 Color 1 Alternately Color 4	yes	N/C	N/C	N/C	N/C	N/C	N/C	N/C	N/C	N/C	N/C	N/C
		1-Default	5	SAE/T13 Single 75FPM Ph1 Color 2 Synchronous Color 4	yes	Class 1	Class 1	Class 1	Class 1	Class B	Class B	Class B	N/C	N/C	N/C	
		2	6	SAE/T13 Single 75FPM Ph2 Color 2 Synchronous Color 4	yes	Class 1	Class 1	Class 1	Class 1	Class B	Class B	Class B	N/C	N/C	N/C	
	3	3	7	SAE/T13 Single 75FPM (Color 1 Synchronous Color 3) Alternately(Color 2 Synchronous Color 4)(Phase 1)	yes	N/C	N/C	N/C	N/C	N/C	N/C	N/C	N/C	N/C	N/C	N/C
	4	4	8	SAE/T13 Single 75FPM (Color 1 Synchronous Color 3) Alternately(Color 2 Synchronous Color 4) Phase 2)	yes	N/C	N/C	N/C	N/C	N/C	N/C	N/C	N/C	N/C	N/C	N/C
	5	5	9	SAE/T13 Single 75FPM (Color 1 Alternately Color 2) Alternately(Color 3 Alternately Color 4)	yes	N/C	N/C	N/C	N/C	N/C	N/C	N/C	N/C	N/C	N/C	N/C
	2	6		10	Single 375FPMFPM Ph1 Color 1 Synchronous Color 3	yes	N/C	N/C	N/C	N/C	N/C	N/C	N/C	N/C	N/C	N/C
7			11	Single 375FPMFPM Ph2 Color 1 Synchronous Color 3 yes	yes	N/C	N/C	N/C	N/C	N/C	N/C	N/C	N/C	N/C	N/C	
			12	Single 375FPMFPM Ph1 Color 1 Alternately Color 4	yes	N/C	N/C	N/C	N/C	N/C	N/C	N/C	N/C	N/C	N/C	
			13	Single 375FPMFPM Ph2 Color 1 Alternately Color 4	yes	N/C	N/C	N/C	N/C	N/C	N/C	N/C	N/C	N/C	N/C	
		6	14	Single 375FPMFPM Ph1 Color 2 Synchronous Color 4	yes	N/C	N/C	N/C	N/C	N/C	N/C	N/C	N/C	N/C	N/C	
		7	15	Single 375FPMFPM Ph2 Color 2 Synchronous Color 4	yes	N/C	N/C	N/C	N/C	N/C	N/C	N/C	N/C	N/C	N/C	
8		8	16	Single 375FPMFPM (Color 1 Synchronous Color 3) Alternately(Color 2 Synchronous Color 4)(Phase 1)	yes	N/C	N/C	N/C	N/C	N/C	N/C	N/C	N/C	N/C	N/C	
9		9	17	Single 375FPMFPM (Color 1 Synchronous Color 3) Alternately(Color 2 Synchronous Color 4)(Phase 2)	yes	N/C	N/C	N/C	N/C	N/C	N/C	N/C	N/C	N/C	N/C	
10		10	18	Single 375FPMFPM (Color 1 Alternately Color 2) Alternately (Color 3 Alternately Color 4)	yes	N/C	N/C	N/C	N/C	N/C	N/C	N/C	N/C	N/C	N/C	

Pattern	LED Color 2 & Color 4 White Line	LED Color 1 & Color 3 Red Line	"LED Color 1 & Color 3 LED Color 2 & Color 4 White & Red Line	CD3766 FLASH PATTERN	SYNCH	SAE J595				CAT 13			ECE R65			
						RED	AMBER	BLUE	WHITE	RED	AMBER	BLUE	RED	AMBER	BLUE	
3	11		19	SAE/T13 SAE/T13 Double 75FPM Ph1 Color 1 Synchronous (Color 3)	yes	Class 1	Class 1	Class 1	Class 1	Class B	Class B	Class B	N/C	N/C	N/C	
	12		20	SAE/T13 SAE/T13 Double 75FPM Ph2 Color 1 Synchronous (Color 3)	yes	Class 1	Class 1	Class 1	Class 1	Class B	Class B	Class B	N/C	N/C	N/C	
			21	SAE/T13 Double 75FPM Ph1 Color 1 Alternately Color 4	yes	N/C	N/C	N/C	N/C	N/C	N/C	N/C	N/C	N/C	N/C	N/C
			22	SAE/T13 Double 75FPM Ph2 Color 1 Alternately Color 4	yes	N/C	N/C	N/C	N/C	N/C	N/C	N/C	N/C	N/C	N/C	N/C
		11	23	SAE/T13 Double 75FPM Ph1 Color 2 Synchronous Color 4	yes	Class 1	Class 1	Class 1	Class 1	Class B	Class B	Class B	N/C	N/C	N/C	N/C
		12	24	SAE/T13 Double 75FPM Ph2 Color 2 Synchronous Color 4	yes	Class 1	Class 1	Class 1	Class 1	Class B	Class B	Class B	N/C	N/C	N/C	N/C
	13	13	25	SAE/T13 Double 75FPM (Color 1 Synchronous Color 3) Alternately (Color 2 Synchronous Color 4) (Phase 1)	yes	N/C	N/C	N/C	N/C	N/C	N/C	N/C	N/C	N/C	N/C	N/C
	14	14	26	SAE/T13 Double 75FPM (Color 1 Synchronous Color 3) Alternately (Color 2 Synchronous Color 4) (Phase 2)	yes	N/C	N/C	N/C	N/C	N/C	N/C	N/C	N/C	N/C	N/C	N/C
	15	15	27	SAE/T13 Double 75FPM (Color 1 Alternately Color 2) Alternately (Color 3 Alternately Color 4)	yes	N/C	N/C	N/C	N/C	N/C	N/C	N/C	N/C	N/C	N/C	N/C
4	16		28	ECER65/SAE Double 120FPM Ph1 Color 1 Synchronous Color 3	yes	Class 1	Class 1	Class 1	Class 1	N/C	N/C	N/C	N/C	Class 1	Class 1	
	17		29	ECER65/SAE Double 120FPM Ph2 Color 1 Synchronous Color 3	yes	Class 1	Class 1	Class 1	Class 1	N/C	N/C	N/C	N/C	Class 1	Class 1	
			30	ECER65/SAE Double 120FPM Ph1 Color 1 Alternately Color 4	yes	N/C	N/C	N/C	N/C	N/C	N/C	N/C	N/C	N/C	N/C	N/C
			31	ECER65/SAE Double 120FPM Ph2 Color 1 Alternately Color 4	yes	N/C	N/C	N/C	N/C	N/C	N/C	N/C	N/C	N/C	N/C	N/C
		16	32	ECER65/SAE Double 120FPM Ph1 Color 2 Synchronous Color 4	yes	Class 1	Class 1	Class 1	Class 1	N/C	N/C	N/C	N/C	Class 1	Class 1	
		17	33	ECER65/SAE Double 120FPM Ph2 Color 2 Synchronous Color 4	yes	Class 1	Class 1	Class 1	Class 1	N/C	N/C	N/C	N/C	Class 1	Class 1	
	18	18	34	ECER65/SAE Double 120FPM (Color 1 Synchronous Color 3) Alternately (Color 2 Synchronous Color 4)(Phase 1)	yes	N/C	N/C	N/C	N/C	N/C	N/C	N/C	N/C	N/C	N/C	N/C
	19	19	35	ECER65/SAE Double 120FPM (Color 1 Synchronous Color 3) Alternately (Color 2 Synchronous Color 4)(Phase 2)	yes	N/C	N/C	N/C	N/C	N/C	N/C	N/C	N/C	N/C	N/C	N/C
	20	20	36	ECER65/SAE Double 120FPM (Color 1 Alternately Color 2) Alternately (Color 3 Alternately Color 4)	yes	N/C	N/C	N/C	N/C	N/C	N/C	N/C	N/C	N/C	N/C	N/C
5	21		37	SAE/T13 Triple 75FPM Ph1 Color 1 Synchronous Color 3	yes	Class 1	Class 1	Class 1	Class 2	Class B	Class B	Class B	N/C	N/C	N/C	
	22		38	SAE/T13 Triple 75FPM Ph2 Color 1 Synchronous Color 3	yes	Class 1	Class 1	Class 1	Class 2	Class B	Class B	Class B	N/C	N/C	N/C	
			39	SAE/T13 Triple 75FPM Ph1 Color 1 Alternately Color 4	yes	N/C	N/C	N/C	N/C	N/C	N/C	N/C	N/C	N/C	N/C	N/C
			40	SAE/T13 Triple 75FPM Ph2 Color 1 Alternately Color 4	yes	N/C	N/C	N/C	N/C	N/C	N/C	N/C	N/C	N/C	N/C	N/C
		21	41	SAE/T13 Triple 75FPM Ph1 Color 2 Synchronous Color 4	yes	Class 1	Class 1	Class 1	Class 2	Class B	Class B	Class B	N/C	N/C	N/C	
		22	42	SAE/T13 Triple 75FPM Ph2 Color 2 Synchronous Color 4	yes	Class 1	Class 1	Class 1	Class 2	Class B	Class B	Class B	N/C	N/C	N/C	
	23	23	43	SAE/T13 Triple 75FPM (Color 1 Synchronous Color 3) Alternately (Color 2 Synchronous Color 4)(Phase 1)	yes	N/C	N/C	N/C	N/C	N/C	N/C	N/C	N/C	N/C	N/C	N/C
	24	24	44	SAE/T13 Triple 75FPM (Color 1 Synchronous Color 3) Alternately (Color 2 Synchronous Color 4)(Phase 2)	yes	N/C	N/C	N/C	N/C	N/C	N/C	N/C	N/C	N/C	N/C	N/C
	25	25	45	SAE/T13 Triple 75FPM (Color 1 Alternately Color 2) Alternately (Color 3 Alternately Color 4)	yes	N/C	N/C	N/C	N/C	N/C	N/C	N/C	N/C	N/C	N/C	N/C

Pattern	LED Color 2 & Color 4 White Line	LED Color 1 & Color 3 Red Line	LED Color 1 & Color 3 LED Color 2 & Color 4 White & Red Line	CD3766 FLASH PATTERN	SYNCH	SAE J595				CAT 13			ECE R65		
						RED	AMBER	BLUE	WHITE	RED	AMBER	BLUE	RED	AMBER	BLUE
6	26		46	SAE/T13 Quad 75FPM Ph1 Color 1 Synchronous Color 3	yes	Class 1	Class 1	Class 1	Class 2	Class B	Class B	Class B	N/C	N/C	N/C
	27		47	SAE/T13 Quad 75FPM Ph2 Color 1 Synchronous Color 3	yes	Class 1	Class 1	Class 1	Class 2	Class B	Class B	Class B	N/C	N/C	N/C
			48	SAE/T13 Quad 75FPM Ph1 Color 1 Alternately Color 4	yes	N/C	N/C	N/C	N/C	N/C	N/C	N/C	N/C	N/C	N/C
			49	SAE/T13 Quad 75FPM Ph2 Color 1 Alternately Color 4	yes	N/C	N/C	N/C	N/C	N/C	N/C	N/C	N/C	N/C	N/C
		26	50	SAE/T13 Quad 75FPM Ph1 Color 2 Synchronous Color 4	yes	Class 1	Class 1	Class 1	Class 2	Class B	Class B	Class B	N/C	N/C	N/C
		27	51	SAE/T13 Quad 75FPM Ph2 Color 2 Synchronous Color 4	yes	Class 1	Class 1	Class 1	Class 2	Class B	Class B	Class B	N/C	N/C	N/C
	28	28	52-Default	SAE/T13 Quad 75FPM (Color 1 Synchronous Color 3) Alternately (Color 2 Synchronous Color 4) (Phase 1)	yes	N/C	N/C	N/C	N/C	N/C	N/C	N/C	N/C	N/C	N/C
	29	29	53	SAE/T13 Quad 75FPM (Color 1 Synchronous Color 3) Alternately (Color 2 Synchronous Color 4) (Phase 2)	yes	N/C	N/C	N/C	N/C	N/C	N/C	N/C	N/C	N/C	N/C
	30	30	54	SAE/T13 Quad 75FPM (Color 1 Alternately Color 2) Alternately (Color 3 Alternately Color 4)	yes	N/C	N/C	N/C	N/C	N/C	N/C	N/C	N/C	N/C	N/C
	7	31		55	ECER65/SAE Quad 120FPM Ph1 Color 1 Synchronous Color 3	yes	Class 1	Class 1	Class 1	Class 2	N/C	N/C	N/C	N/C	N/C
32			56	ECER65/SAE Quad 120FPM Ph2 Color 1 Synchronous Color 3	yes	Class 1	Class 1	Class 1	Class 2	N/C	N/C	N/C	N/C	N/C	N/C
			57	ECER65/SAE Quad 120FPM Ph1 Color 1 Alternately Color 4	yes	N/C	N/C	N/C	N/C	N/C	N/C	N/C	N/C	N/C	N/C
			58	ECER65/SAE Quad 120FPM Ph2 Color 1 Alternately Color 4	yes	N/C	N/C	N/C	N/C	N/C	N/C	N/C	N/C	N/C	N/C
		31	59	ECER65/SAE Quad 120FPM Ph1 Color 2 Synchronous Color 4	yes	Class 1	Class 1	Class 1	Class 2	N/C	N/C	N/C	N/C	N/C	N/C
		32	60	ECER65/SAE Quad 120FPM Ph2 Color 2 Synchronous Color 4	yes	Class 1	Class 1	Class 1	Class 2	N/C	N/C	N/C	N/C	N/C	N/C
33		33	61	ECER65/SAE Quad 120FPM (Color 1 Synchronous Color 3) Alternately (Color 2 Synchronous Color 4)(Phase 1)	yes	N/C	N/C	N/C	N/C	N/C	N/C	N/C	N/C	N/C	N/C
34		34	62	ECER65/SAE Quad 120FPM (Color 1 Synchronous Color 3) Alternately (Color 2 Synchronous Color 4)(Phase 2)	yes	N/C	N/C	N/C	N/C	N/C	N/C	N/C	N/C	N/C	N/C
35		35	63	ECER65/SAE Quad 120FPM (Color 1 Alternately Color 2) Alternately (Color 3 Alternately Color 4)	yes	N/C	N/C	N/C	N/C	N/C	N/C	N/C	N/C	N/C	N/C
8			64	Modulation (Color 1 Synchronous Color 3) Alternately (Color 2 Synchronous Color 4)	no	N/C	N/C	N/C	N/C	N/C	N/C	N/C	N/C	N/C	N/C
9		65	2 Double, 2 Quad (Color 1 Synchronous Color 3) Alternately (Color 2 Synchronous Color 4)	no	N/C	N/C	N/C	N/C	N/C	N/C	N/C	N/C	N/C	N/C	
10		66	4 Single, 2 Triple (Color 1 Synchronous Color 3) Alternately (Color 2 Synchronous Color 4)	no	N/C	N/C	N/C	N/C	N/C	N/C	N/C	N/C	N/C	N/C	
11		67	1 Double 1 Triple 1 Quad (Color 1 Synchronous Color 3) Alternately (Color 2 Synchronous Color 4)	no	N/C	N/C	N/C	N/C	N/C	N/C	N/C	N/C	N/C	N/C	
12	36		68	Steady burn-Color 1 & 3	no	N/C	N/C	N/C	N/C	N/C	N/C	N/C	N/C	N/C	
		36	69	Steady burn-Color 2 & 4	no	N/C	N/C	N/C	N/C	N/C	N/C	N/C	N/C	N/C	

## Troubleshooting

The CD3766-VDL series has been factory tested and approved. If the functions of the device fail, please check the following:

1. After connecting with the power supply, be sure that the power source end is joined correctly. Make sure there is not a short circuit.
2. Plug in the device; ensure the LED power switch is on.
3. Press the Pattern Switch to ensure "OFF" pattern is not selected. If the blue wire touches the black wire over 5 seconds, it would switch to the OFF pattern. It will light up again when the blue wire touches the black wire continuously for less than 1 second.

### Manufacturer Limited Warranty Policy:

Manufacturer warrants that on the date of purchase this product will conform to Manufacturer's specifications for this product (which are available from the Manufacturer upon request). This Limited Warranty extends for Sixty (60) months from the date of purchase.

**DAMAGE TO PARTS OR PRODUCTS RESULTING FROM TAMPERING, ACCIDENT, ABUSE, MISUSE, NEGLIGENCE, UNAPPROVED MODIFICATIONS, FIRE OR OTHER HAZARD; IMPROPER INSTALLATION OR OPERATION; OR NOT BEING MAINTAINED IN ACCORDANCE WITH THE MAINTENANCE PROCEDURES SET FORTH IN MANUFACTURER'S INSTALLATION AND OPERATING INSTRUCTIONS VOIDS THIS LIMITED WARRANTY.**

### Exclusion of Other Warranties:

MANUFACTURER MAKES NO OTHER WARRANTIES, EXPRESS OR IMPLIED. THE IMPLIED WARRANTIES FOR MERCHANTABILITY, QUALITY OR FITNESS FOR A PARTICULAR PURPOSE, OR ARISING FROM A COURSE OF DEALING, USAGE OR TRADE PRACTICE ARE HEREBY EXCLUDED AND SHALL NOT APPLY TO THE PRODUCT AND ARE HEREBY DISCLAIMED, EXCEPT TO THE EXTENT PROHIBITED BY APPLICABLE LAW. ORAL STATEMENTS OR REPRESENTATIONS ABOUT THE PRODUCT DO NOT CONSTITUTE WARRANTIES.

### Remedies and Limitation of Liability:

MANUFACTURER'S SOLE LIABILITY AND BUYER'S EXCLUSIVE REMEDY IN CONTRACT, TORT (INCLUDING NEGLIGENCE), OR UNDER ANY OTHER THEORY AGAINST MANUFACTURER REGARDING THE PRODUCT AND ITS USE SHALL BE, AT MANUFACTURER'S DISCRETION, THE REPLACEMENT OR REPAIR OF THE PRODUCT, OR THE REFUND OF THE PURCHASE PRICE PAID BY BUYER FOR NON-CONFORMING PRODUCT. IN NO EVENT SHALL MANUFACTURER'S LIABILITY ARISING OUT OF THIS LIMITED WARRANTY OR ANY OTHER CLAIM RELATED TO THE MANUFACTURER'S PRODUCTS EXCEED THE AMOUNT PAID FOR THE PRODUCT BY BUYER AT THE TIME OF THE ORIGINAL PURCHASE. IN NO EVENT SHALL MANUFACTURER BE LIABLE FOR LOST PROFITS, THE COST OF SUBSTITUTE EQUIPMENT OR LABOR, PROPERTY DAMAGE, OR OTHER SPECIAL, CONSEQUENTIAL, OR INCIDENTAL DAMAGES BASED UPON ANY CLAIM FOR BREACH OF CONTRACT, IMPROPER INSTALLATION, NEGLIGENCE, OR OTHER CLAIM, EVEN IF MANUFACTURER OR A MANUFACTURER'S REPRESENTATIVE HAS BEEN ADVISED OF THE POSSIBILITY OF SUCH DAMAGES. MANUFACTURER SHALL HAVE NO FURTHER OBLIGATION OR LIABILITY WITH RESPECT TO THE PRODUCT OR ITS SALE, OPERATION AND USE, AND MANUFACTURER NEITHER ASSUMES NOR AUTHORIZES THE ASSUMPTION OF ANY OTHER OBLIGATION OR LIABILITY IN CONNECTION WITH SUCH PRODUCT.

This Limited Warranty defines specific legal rights. You may have other legal rights which vary from jurisdiction to jurisdiction. Some jurisdictions do not allow the exclusion or limitation of incidental or consequential damages.

### Product Returns:

If a product must be returned for repair or replacement\*, please contact our factory to obtain a Return Goods Authorization Number (RGA number) before you ship the product to Code 3®, Inc. Write the RGA number clearly on the package near the mailing label. Be sure you use sufficient packing materials to avoid damage to the product being returned while in transit.

\*Code 3®, Inc. reserves the right to repair or replace at its discretion. Code 3®, Inc. assumes no responsibility or liability for expenses incurred for the removal and /or reinstallation of products requiring service and/or repair.; nor for the packaging, handling, and shipping; nor for the handling of products returned to sender after the service has been rendered.



10986 North Warson Road  
St. Louis, MO 63114

Technical Service:  
(314) 996-2800

c3\_tech\_support@code3esg.com  
www.code3esg.com

A Division of ESG | www.eccogroup.com