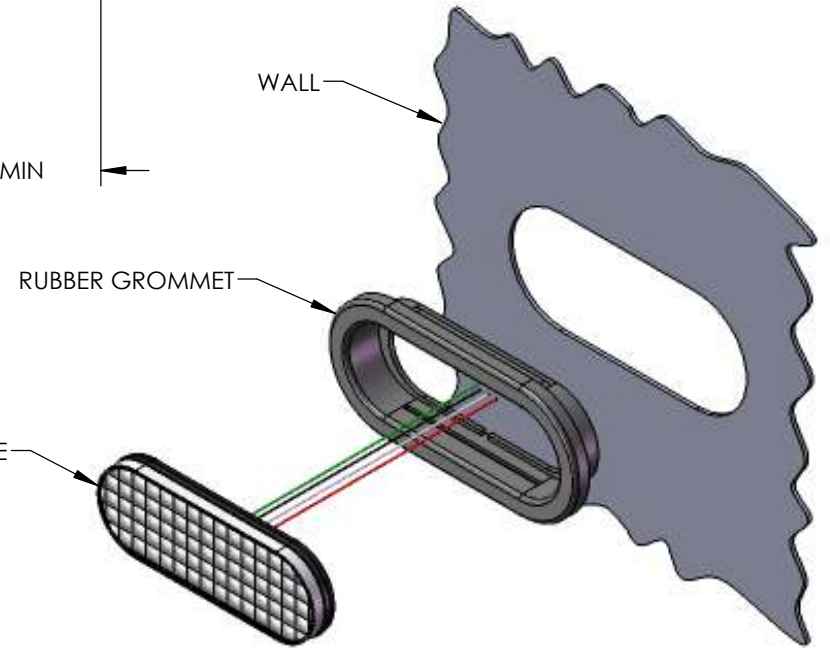
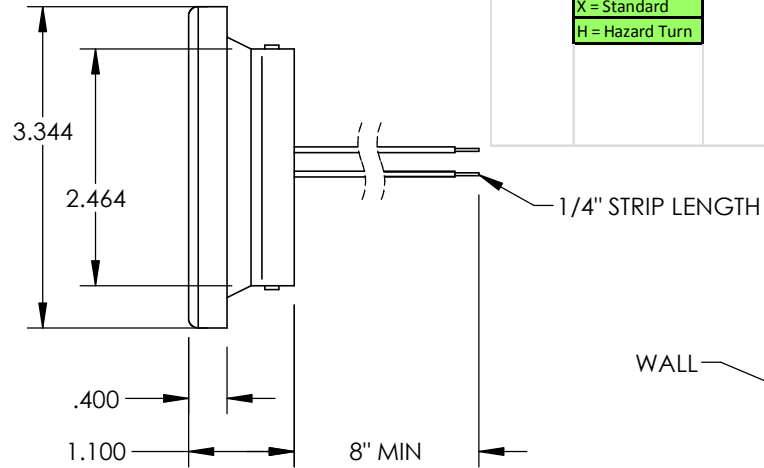
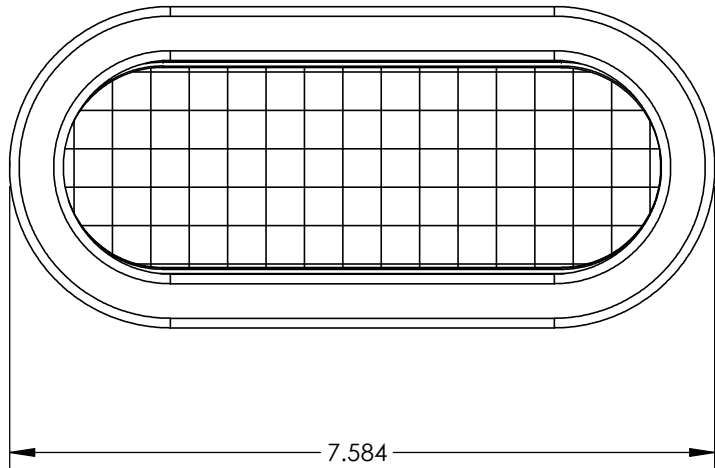


REV.	ECR	DESCRIPTION	DATE
-	10997	INITIAL DRAWING REQUEST	02/21/13
A	11230	UPDATED CLASSIFICATIONS	05/30/13

MODEL NUMBERS				
DL	_____	THU	-	_____
LED Head	Pattern Type	Oval	-	Mount Type
	X = Standard			4 = Rubber Grommet
	H = Hazard Turn			
				Color
				A = Amber
				BC = Blue w/Clear Lens
				GC = Green w/Clear Lens
				RC = Red w/Clear Lens
				W = Cool White
				R = Red



SPECIFICATIONS:
 Typical Input Voltage Range: 10-30 VDC @ .540 A MAX
 Operating Temperature Range: -40°C to 55°C
 Light Output: Steady Burn "C" Cool White of 268LM @ 25°C
 Connections: 8"(min) Wires Exiting Unit
 Permanent Mounting: Rubber Grommet

MATERIALS:
 Module Lens: Polycarbonate
 Module Housing: Polycarbonate
 Lens Gasket: EPDM Foam
 Grommet: PVC

CONNECTIONS:
 22 Gauge Red Wire: Positive VDC
 22 Gauge Black Wire: Negative VDC
 22 Gauge Green Wire: Pattern Select (Touch wire to ground and release)
 22 Gauge Green / White Wire: Turn Signal Input (DLHTHU ONLY)
 22 Gauge White Wire: Synchronization

CLASSIFICATIONS

COLORS	DESCRIPTION	J845	TITLE 13
A	AMBER	CLASS 1	-
BC	BLUE W/CLEAR LENS	CLASS 1	YES
GC	GREEN W/CLEAR LENS	-	-
RC	RED W/CLEAR LENS	CLASS 1	YES
R	RED	CLASS 2	-
W	COOL WHITE	CLASS 1	-



UNLESS OTHERWISE SPECIFIED
 DIMENSIONS ARE IN INCHES
 TOLERANCES:
 ANGULAR: ± 2 DEG.
 .X ± .100
 .XX ± .020
 .XXX ± .005
 .XXXX ± .001

RoHS COMPLIANT: Yes
 MATERIAL: N/A
 FINISH: N/A

DRAWN BY: MB
DRAWING APPROVED BY ECR
 THE INFORMATION CONTAINED IN THIS DRAWING IS THE SOLE PROPERTY OF STAR HEADLIGHT & LANTERN CO., INC.. ANY REPRODUCTION IN PART OR AS A WHOLE WITHOUT THE WRITTEN PERMISSION OF STAR HEADLIGHT & LANTERN CO., INC. IS STRICTLY PROHIBITED.

STAR HEADLIGHT & LANTERN CO., INC.
 455 Rochester St. Avon NY 14414
 Ph:(585) 226-9500 Fax: (585) 226-2029

MODEL: DLXTHU-4*, DLHTHU-4*

TITLE:
6" OVAL DLXT GROMMET ASSEMBLY

DWG. NO. DLXTHU-4 REV A
 SCALE: 1:2 DO NOT SCALE FROM DRAWING SHEET 1 OF 1