



# ECCO®

## Installation and Operation Instructions Directional LED

ED3701 and ED3702 directional LEDs are bright and versatile warning lights that are suited to a wide variety of applications. Their ultra-low profile makes them easy to install virtually anywhere on a vehicle. Both models offer wide angle optics and multiple flash patterns, including synchronization with other units for simultaneous or alternating operation. ED3701 models feature 6 LEDs and are available in either single color or split-color (3 LEDs of each color). The ED3702 is a dual-color light featuring 12 LEDs (6 of each color) and available in 7 color configurations. This manual provides information about installation, function, safety, maintenance, replacement parts and warranty.

# SIRENNET®



### WARNING!

Failure to install or use this product according to manufacturer's recommendations may result in property damage, serious injury, and/or death to those you are seeking to protect!



Do not install and/or operate this safety product unless you have read and understand the safety information contained

1. Proper installation combined with operator training in the use, care, and maintenance of emergency warning devices are essential to ensure the safety of you and those you are seeking to protect.
2. Exercise caution when working with live electrical connections.
3. This product must be properly grounded. Inadequate grounding and/or shorting of electrical connections can cause high current arcing, which can cause personal injury and/or severe vehicle damage, including fire.
4. Proper placement and installation are vital to the performance of this warning device. Install this product so that output performance of the system is maximized and the controls are placed within convenient reach of the operator so that s/he can operate the system without losing eye contact with the roadway.
5. Do not install this product or route any wires in the deployment area of an air bag. Equipment mounted or located in an air bag deployment area may reduce the effectiveness of the air bag or become a projectile that could cause serious personal injury or death. Refer to the vehicle owner's manual for the air bag deployment area. It is the responsibility of the user/operator to determine a suitable mounting location ensuring the safety of all passengers inside the vehicle particularly avoiding areas of potential head impact.
6. It is the responsibility of the vehicle operator to ensure during use that all features of this product work correctly. In use, the vehicle operator should ensure the projection of the warning signal is not blocked by vehicle components (i.e., open trunks or compartment doors), people, vehicles or other obstructions.
7. The use of this or any other warning device does not ensure all drivers can or will observe or react to a warning signal. Never take the right-of-way for granted. It is your responsibility to be sure you can proceed safely before entering an intersection, driving against traffic, responding at a high rate of speed, or walking on or around traffic lanes.
8. This equipment is intended for use by authorized personnel only. The user is responsible for understanding and obeying all laws regarding warning signal devices. Therefore, the user should check all applicable city, state, and federal laws and regulations. The manufacturer assumes no liability for any loss resulting from the use of this warning device.

### CONTENTS:

1	Light Head
1	Gasket-
	Includes-
	2- M4x25 Sheet metal screws

### SPECIFICATIONS:

Input Voltage	12-24VDC
Work Current	ED3701 = 1.0A@12VDC
	ED3702 = 1.2A@12VDC

**Important!** This unit is a safety device and it must be connected to its own separate, fused power point to assure its continued operation should any other electrical accessory fail.

**Caution:** When drilling into any vehicle surface, make sure the area is free from any electrical wires, fuel lines, vehicle upholstery, etc. that could be damaged

### Wire: ED3701

RED: Positive(need to add 2A Fuse)  
 BLACK: Negative  
 BLUE: Pattern Switch  
 YELLOW: Synchronized Function  
 (Up to 8 units can be Synchronized)

### Wire: ED3702

RED: Positive, Colors 1 & 3 (need to add 5A Fuse)  
 WHITE: Positive, Colors 2 & 4 (need to add 5A Fuse)  
 BLACK: Negative  
 BLUE: Pattern Select to negative  
 YELLOW: Synchronized Function  
 (Up to 8 units can be Synchronized)

### Operation Environment:

Ambient Temperature: -30 to 50°C

### Phase Operation:

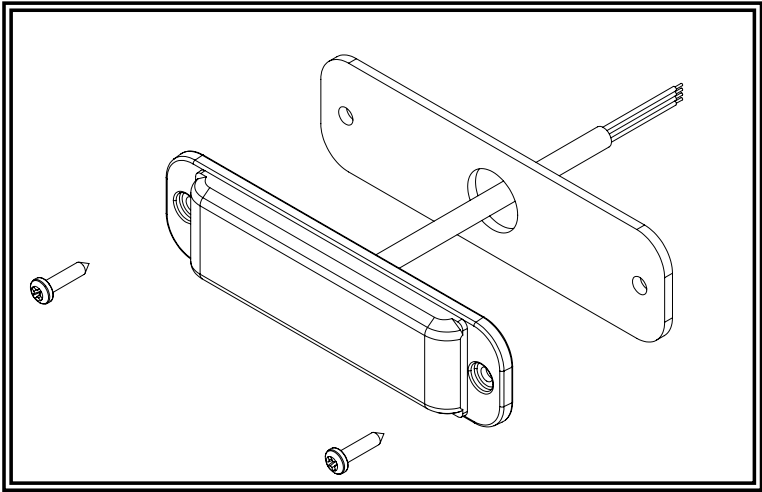
Phase 1 (Ph1) flashes simultaneously with Ph1  
 Phase 2 (Ph2) flashes simultaneously with Ph2  
 Ph1 alternates with Ph2

(Up to 8 units can be Synchronized)

### Apply BLUE TO BLACK wire:

- Less than 1 sec. for next pattern
- Between 1-3 sec for previous pattern
- Between 3-5 sec. for factory default pattern
- More than 5 sec. for pattern 12 (ED3702) and pattern 13 (ED3701)

**Mounting:**



ED3701 Series Flash Pattern Chart  
 Diagrama de patrones de intermitencia de la Serie ED3701  
 Tableau des modes de clignotement de la série ED3701

PATTERN	MODE	PATTERNS	LAMP SYNCHRONIZE	SAE J595				CAT 13			ECE R65		
				RED	AMBER	BLUE	WHITE	RED	AMBER	BLUE	RED	AMBER	BLUE
1	1	Single Flash 75FPM sim. Phase1	yes	Class 1	Class 1	Class 1	Class 1	Class B	Class B	Class B	N/C	N/C	N/C
	2	Single Flash 75FPM sim. Phase2	yes	Class 1	Class 1	Class 1	Class 1	Class B	Class B	Class B	N/C	N/C	N/C
	3	Single Flash 75FPM Alt.	yes	N/C	N/C	N/C	N/C	N/C	N/C	N/C	N/C	N/C	N/C
2	4	Single Flash 120FPM sim. Phase1	yes	Class 1	Class 1	Class 1	Class 1	N/C	N/C	N/C	Class 1	Class 1	Class 1
	5	Single Flash 120FPM sim. phase2	yes	Class 1	Class 1	Class 1	Class 1	N/C	N/C	N/C	Class 1	Class 1	Class 1
	6	Single Flash 120FPM Alt.	yes	N/C	N/C	N/C	N/C	N/C	N/C	N/C	N/C	N/C	N/C
3	7	Double Flash 75FPM sim. Phase1	yes	Class 1	Class 1	Class 1	Class 1	Class B	Class B	Class B	N/C	N/C	N/C
	8	Double Flash 75FPM sim. phase2	yes	Class 1	Class 1	Class 1	Class 1	Class B	Class B	Class B	N/C	N/C	N/C
	9	Double Flash 75FPM Alt.	yes	N/C	N/C	N/C	N/C	N/C	N/C	N/C	N/C	N/C	N/C
4	10	Double Flash 120FPM sim. Phase1	yes	Class 1	Class 1	Class 1	Class 1	N/C	N/C	N/C	N/C	N/C	N/C
	11	Double Flash 120FPM sim. phase2	yes	Class 1	Class 1	Class 1	Class 1	N/C	N/C	N/C	N/C	N/C	N/C
	12	Double Flash 120FPM Alt.	yes	N/C	N/C	N/C	N/C	N/C	N/C	N/C	N/C	N/C	N/C
5	13 - Default	Quad Flash 75FPM sim. Phase1	yes	Class 1	Class 1	Class 1	Class 2	N/C	N/C	N/C	N/C	N/C	N/C
	14	Quad Flash 75FPM sim. Phase2	yes	Class 1	Class 1	Class 1	Class 2	N/C	N/C	N/C	N/C	N/C	N/C
	15	Quad Flash 75FPM Alt.	yes	N/C	N/C	N/C	N/C	N/C	N/C	N/C	N/C	N/C	N/C
6	16	Quad Flash 150FPM sim. Phase1	yes	Class 1	Class 1	Class 1	Class 2	N/C	N/C	N/C	N/C	N/C	N/C
	17	Quad Flash 150FPM sim. Phase2	yes	Class 1	Class 1	Class 1	Class 2	N/C	N/C	N/C	N/C	N/C	N/C
	18	Quad Flash 150FPM Alt.	yes	N/C	N/C	N/C	N/C	N/C	N/C	N/C	N/C	N/C	N/C
7	19	Triple 75FPM sim. Phase1	yes	Class 1	Class 1	Class 1	Class 1	N/C	N/C	N/C	N/C	N/C	N/C
	20	Triple 75FPM sim. Phase2	yes	Class 1	Class 1	Class 1	Class 1	N/C	N/C	N/C	N/C	N/C	N/C
	21	Triple 75FPM Alt.	yes	N/C	N/C	N/C	N/C	N/C	N/C	N/C	N/C	N/C	N/C
8	22	Quint Flash 150FPM sim. Phase1	yes	Class 1	Class 1	Class 1	Class 2	N/C	N/C	N/C	N/C	N/C	N/C
	23	Quint Flash 150FPM sim. Phase2	yes	Class 1	Class 1	Class 1	Class 2	N/C	N/C	N/C	N/C	N/C	N/C
	24	Quint Flash 150FPM Alt.	yes	N/C	N/C	N/C	N/C	N/C	N/C	N/C	N/C	N/C	N/C
9	25	Steady - Single	No	N/C	N/C	N/C	N/C	N/C	N/C	N/C	N/C	N/C	N/C
10	26	Steady Burn	No	N/C	N/C	N/C	N/C	N/C	N/C	N/C	N/C	N/C	N/C
11	27	Modulation	No	N/C	N/C	N/C	N/C	N/C	N/C	N/C	N/C	N/C	N/C
12	28	2 Double Flash,2 Triple Alt.	No	N/C	N/C	N/C	N/C	N/C	N/C	N/C	N/C	N/C	N/C
13	29	4 Single Flash, 2 Quad Flash Alt.	No	N/C	N/C	N/C	N/C	N/C	N/C	N/C	N/C	N/C	N/C

ED3702 Series Flash Pattern Chart  
 Diagrama de patrones de intermitencia de la Serie ED3702  
 Tableau des modes de clignotement de la série ED3702

PAT- TERN	LED Color 2 & Color 4 White line	LED Color 1 & Color 3 Red line	LED Color 1 & Color 3 LED Color 2 & Color 4	ED3702 FLASH PATTERN	SYNCH	SAE J595				CAT13			ECE R65			
						RED	AMBER	BLUE	WHITE	RED	AMBER	BLUE	RED	AMBER	BLUE	
1	1-Default		1	SAE/T13 SAE/T13 Single 75FPM Ph1 Color 1 Synchronous Color 3	YES	Class 1	Class 1	Class1	Class1	Class B	Class B	Class B	N/C	N/C	N/C	
	2		2	SAE/T13 SAE/T13 Single 75FPM Ph2 color 1 Synchronous Color 3	YES	Class 1	Class 1	Class 1	Class 1	Class B	Class B	Class B	N/C	N/C	N/C	
			3	SAE/T13 Single 75FPM Ph1 Color 1 Alternately Color 4	YES	N/C	N/C	N/C	N/C	N/C	N/C	N/C	N/C	N/C	N/C	N/C
			4	SAE/T13 Single 75FPM Ph2 Color 1 Alternately Color 4	YES	N/C	N/C	N/C	N/C	N/C	N/C	N/C	N/C	N/C	N/C	N/C
	1-Default		5	SAE/T13 Single 75FPM Ph1 Color 2 Synchronous Color 4	YES	Class 1	Class 1	Class 1	Class 1	Class B	Class B	Class B	N/C	N/C	N/C	N/C
	2		6	SAE/T13 Single 75FPM Ph2 Color 2 Synchronous Color 4	YES	Class 1	Class 1	Class 1	Class 1	Class B	Class B	Class B	N/C	N/C	N/C	N/C
	3	3	7	SAE/T13 Single 75FPM (Color 1 Synchronous Color 3) Alternately (Color 2 Synchronous Color 4) Phase 1)	YES	N/C	N/C	N/C	N/C	N/C	N/C	N/C	N/C	N/C	N/C	N/C
	4	4	8	SAE/T13 Single 75FPM (Color 1 Synchronous Color 3) Alternately (Color 2 Synchronous Color 4) Phase 2)	YES	N/C	N/C	N/C	N/C	N/C	N/C	N/C	N/C	N/C	N/C	N/C
	5	5	9	SAE/T13 Single 75FPM (Color 1 Alternately Color 2) Alternately (Color 3 Alternately Color 4)	YES	N/C	N/C	N/C	N/C	N/C	N/C	N/C	N/C	N/C	N/C	N/C
	6		10	Single 375FPM Ph1 Color 1 Synchronous Color 3	YES	N/C	N/C	N/C	N/C	N/C	N/C	N/C	N/C	N/C	N/C	N/C
2	7		11	Single 375FPM Ph2 Color 1 Synchronous Color 3	YES	N/C	N/C	N/C	N/C	N/C	N/C	N/C	N/C	N/C	N/C	
			12	Single 375FPM Ph1 Color 1 Alternately Color 4	YES	N/C	N/C	N/C	N/C	N/C	N/C	N/C	N/C	N/C	N/C	
			13	Single 375FPM Ph2 Color 1 Alternately Color 4	YES	N/C	N/C	N/C	N/C	N/C	N/C	N/C	N/C	N/C	N/C	
	6		14	Single 375FPM Ph1 Color 2 Synchronous Color 4	YES	N/C	N/C	N/C	N/C	N/C	N/C	N/C	N/C	N/C	N/C	
	7		15	Single 375FPM Ph2 Color 2 Synchronous Color 4	YES	N/C	N/C	N/C	N/C	N/C	N/C	N/C	N/C	N/C	N/C	
	8	8	16	Single 375FPM (Color 1 Synchronous Color 3) Alternately (Color 2 Synchronous Color 4) (Phase 1)	YES	N/C	N/C	N/C	N/C	N/C	N/C	N/C	N/C	N/C	N/C	
	9	9	17	Single 375FPM (Color 1 Synchronous Color 3) Alternately (Color 2 Synchronous Color 4) (Phase 2)	YES	N/C	N/C	N/C	N/C	N/C	N/C	N/C	N/C	N/C	N/C	
	10	10	18	Single 375FPM (Color 1 Alternately Color 2) Alternately (Color 3 Alternately Color 4)	YES	N/C	N/C	N/C	N/C	N/C	N/C	N/C	N/C	N/C	N/C	
	3	11		19	SAE/T13 SAE/ T13 Double 75FPM Ph1 Color 1 Synchronous Color 3	YES	Class 1	Class 1	Class 1	Class 1	Class B	Class B	Class B	N/C	N/C	N/C
		12		20	SAE/T13 SAE/ T13 Double 75FPM Ph2 Color 1 Synchronous Color 3	YES	Class 1	Class 1	Class 1	Class 1	Class B	Class B	Class B	N/C	N/C	N/C
			21	SAE/T13 Double 75FPM Ph1 Color 1 Alternately Color 4	YES	N/C	N/C	N/C	N/C	N/C	N/C	N/C	N/C	N/C	N/C	
			22	SAE/T13 Double 75FPM Ph2 Color 1 Alternately Color 4	YES	N/C	N/C	N/C	N/C	N/C	N/C	N/C	N/C	N/C	N/C	
		11	23	SAE/T13 Double 75FPM Ph1 Color 2 Synchronous Color 4	YES	Class 1	Class 1	Class 1	Class 1	Class B	Class B	Class B	N/C	N/C	N/C	
		12	24	SAE/T13 Double 75FPM Ph2 Color 2 Synchronous Color 4	YES	Class 1	Class 1	Class 1	Class 1	Class B	Class B	Class B	N/C	N/C	N/C	
13		13	25	SAE/T13 Double 75FPM (Color 1 Synchronous Color 3) Alternately (Color 2 Synchronous Color 4) (Phase 1)	YES	N/C	N/C	N/C	N/C	N/C	N/C	N/C	N/C	N/C	N/C	N/C

## ED3702 Series Flash Pattern Chart

Diagrama de patrones de intermitencia de la Serie ED3702

Tableau des modes de clignotement de la série ED3702

PAT- TERN	LED color 1 & Color 3 Red line	LED Color 2 & Color 4 White line	LED Color 1 & Color 3 LED Color 2 & Color 4 White & Red line	ED370/ED3702 FLASH PATTERN	SYNCH	SAE J595				CA T13			ECE R65			
						RED	AMBER	BLUE	WHITE	RED	AMBER	BLUE	RED	AMBER	BLUE	
	14	14	26	SAE/T13 Double 75FPM (Color 1 Synchronous Color 3) Alternately (Color 2 Synchronous Color 4) (Phase 2)	YES	N/C	N/C	N/C	N/C	N/C	N/C	N/C	N/C	N/C	N/C	
	15	15	27	SAE/T13 Double 75FPM (Color 1 Alternately Color 2) Alternately (Color 3 Alternately Color 4)	YES	N/C	N/C	N/C	N/C	N/C	N/C	N/C	N/C	N/C	N/C	
4	16		28	ECER65/SAE Double 120FPM Ph1 Color 1 Synchronous Color 3	YES	Class 1	Class 1	Class 1	Class 1	N/C	N/C	N/C	Class 1	Class 1	Class 1	
	17		29	ECER65/SAE Double 120FPM Ph2 Color 1 Synchronous Color 3	YES	Class 1	Class 1	Class 1	Class 1	N/C	N/C	N/C	Class 1	Class 1	Class 1	
			30	ECER65/SAE Double 120FPM Ph1 Color 1 Alternately Color 4	YES	N/C	N/C	N/C	N/C	N/C	N/C	N/C	N/C	N/C	N/C	
			31	ECER65/SAE Double 120FPM Ph2 Color 1 Alternately Color 4	YES	N/C	N/C	N/C	N/C	N/C	N/C	N/C	N/C	N/C	N/C	
		16	32	ECER65/SAE Double 120FPM Ph1 Color 2 Synchronous Color 4	YES	Class 1	Class 1	Class 1	Class 1	N/C	N/C	N/C	Class 1	Class 1	Class 1	
		17	33	ECER65/SAE Double 120FPM Ph2 Color 2 Synchronous Color 4	YES	Class 1	Class 1	Class 1	Class 1	N/C	N/C	N/C	Class 1	Class 1	Class 1	
		18	18	34	ECER65/SAE Double 120FPM (Color 1 Synchrono- us Color 3) Alternately (Color 2 Synchronous Color 4)(Phase 1)	YES	N/C	N/C	N/C	N/C	N/C	N/C	N/C	N/C	N/C	N/C
		19	19	35	ECE/SAE Double 120FPM (Color 1 Synchronous Color 3) Alternately (Color 2 Synchronous Color 4) (Phase 2)	YES	N/C	N/C	N/C	N/C	N/C	N/C	N/C	N/C	N/C	N/C
		20	20	36	ECER65/SAE Double 120FPM (Color 1 Alternately Color 2) Alternately (Color 3 Alternately Color 4)	YES	N/C	N/C	N/C	N/C	N/C	N/C	N/C	N/C	N/C	N/C
	5	21		37	SAE/T13 Triple 75FPM Ph1 Color 1 Synchronous Color 3	YES	Class 1	Class 1	Class 1	Class 2	Class B	Class B	Class B	N/C	N/C	N/C
22			38	SAE/T13 Triple 75FPM Ph2 Color 1 Synchronous Color 3	YES	Class 1	Class 1	Class 1	Class 2	Class B	Class B	Class B	N/C	N/C	N/C	
			39	SAE/T13 Triple 75FPM Ph1 Color 1 Alternately Color 4	YES	N/C	N/C	N/C	N/C	N/C	N/C	N/C	N/C	N/C	N/C	
			40	SAE/T13 Triple 75FPM Ph2 Color 1 Alternately Color 4	YES	N/C	N/C	N/C	N/C	N/C	N/C	N/C	N/C	N/C	N/C	
			41	SAE/T13 Triple 75FPM Ph1 Color 2 Synchronous color 4	YES	N/C	N/C	N/C	N/C	N/C	N/C	N/C	N/C	N/C	N/C	
		21	42	SAE/T13 Triple 75FPM Ph2 Color 2 Synchronous Color 4	YES	Class 1	Class 1	Class 1	Class 2	Class B	Class B	Class B	N/C	N/C	N/C	
			43	SAE/T13 Triple 75FPM (Color 1 Synchronous Color 3) Alternately (Color 2 Synchronous Color 4) (Phase 1)	YES	Class 1	Class 1	Class 1	Class 2	Class B	Class B	Class B	N/C	N/C	N/C	
		23	23	44	SAE/T13 Triple 75FPM (Color 1 Synchronous Color 3) Alternately Color 2 Synchronous Color 4) (Phase 2)	YES	N/C	N/C	N/C	N/C	N/C	N/C	N/C	N/C	N/C	
	24	24	45	SAE/T13 Triple 75FPM (Color 1 Alternately Color 2) Alternately (Color 3 Alternately Color 4)	YES	N/C	N/C	N/C	N/C	N/C	N/C	N/C	N/C	N/C		

ED3702 Series Flash Pattern Chart  
 Diagrama de patrones de intermitencia de la Serie ED3702  
 Tableau des modes de clignotement de la série ED3702

PAT- TERN	LED color 1 & Color 3 Red line	LED Color 2 & Color 4 White line	LED Color 1 & Color 3 LED Color 2 & Color 4 White & Red line	ED3701/ED3702 FLASH PATTERN	SYNCH	SAE J595				CAT13			ECE R65		
						RED	AMBER	BLUE	WHITE	RED	AMBER	BLUE	RED	AMBER	BLUE
6	25		46	SAE/T13 Quad 75FPM Ph1 Color 1 Synchronous Color 3	YES	Class 1	Class 1	Class 1	Class 2	Class B	Class B	Class B	N/C	N/C	N/C
	26		47	SAE/T13 Quad 75FPM Ph2 Color 1 Synchronous Color 3	YES	Class 1	Class 1	Class 1	Class 2	Class B	Class B	Class B	N/C	N/C	N/C
			48	SAE/T13 Quad 75FPM Ph1 Color 1 Alternately Color 4	YES	N/C	N/C	N/C	N/C	N/C	N/C	N/C	N/C	N/C	N/C
			49	SAE/T13 Quad 75FPM Ph2 Color 1 Alternately color 4	YES	N/C	N/C	N/C	N/C	N/C	N/C	N/C	N/C	N/C	N/C
		25	50	SAE/T13 Quad 75FPM Ph1 Color 2 Synchronous Color 4	YES	Class 1	Class 1	Class 1	Class 2	Class B	Class B	Class B	N/C	N/C	N/C
		26	51	SAE/T13 Quad 75FPM Ph2 Color 2 Synchronous Color 4	YES	Class 1	Class 1	Class 1	Class 2	Class B	Class B	Class B	N/C	N/C	N/C
		27	52	SAE/T13 Quad 75FPM (Color 1 Synchronous Color 3) Alternately (Color 2 Synchronous Color 4) (Phase 1)	YES	N/C	N/C	N/C	N/C	N/C	N/C	N/C	N/C	N/C	N/C
		28	53	SAE/T13 Quad 75FPM (Color 1 Synchronous Color 3) Alternately (Color 2 Synchronous Color 4) (Phase 2)	YES	N/C	N/C	N/C	N/C	N/C	N/C	N/C	N/C	N/C	N/C
		29	54	SAE/T13 Quad 75FPM (Color 1 Alternately Color 2) Alternately (Color 3 Alternately Color 4)	YES	N/C	N/C	N/C	N/C	N/C	N/C	N/C	N/C	N/C	N/C
7	30		55	ECER65/SAE Quad 120FPM Ph1 Color 1 Synchronous Color 3	YES	Class 1	Class 1	Class 1	Class 2	N/C	N/C	N/C	N/C	N/C	N/C
	31		56	ECER65/SAE Quad 120FPM Ph2 Color 1 Synchronous Color 3	YES	Class 1	Class 1	Class 1	Class 2	N/C	N/C	N/C	N/C	N/C	N/C
			57	ECER65/SAE Quad 120FPM Ph1 Color 1 Alternately Color 4	YES	N/C	N/C	N/C	N/C	N/C	N/C	N/C	N/C	N/C	N/C
			58	ECER65/SAE Quad 120FPM Ph2 Color 1 Alternately Color 4	YES	N/C	N/C	N/C	N/C	N/C	N/C	N/C	N/C	N/C	N/C
		30	59	ECER65/SAE Quad 120FPM Ph1 Color 2 Synchronous Color 4	YES	Class 1	Class 1	Class 1	Class 2	N/C	N/C	N/C	N/C	N/C	N/C
		31	60	ECER65/SAE Quad 120FPM Ph2 Color 2 Synchronous Color 4	YES	Class 1	Class 1	Class 1	Class 2	N/C	N/C	N/C	N/C	N/C	N/C
		32	61	ECER65/SAE Quad 120FPM (Color 1 Synchrono- us Color 3) Alternately (Color 2 Synchronous Color 4) (Phase 1)	YES	N/C	N/C	N/C	N/C	N/C	N/C	N/C	N/C	N/C	N/C
		33	62	ECER65/SAE Quad 120FPM (Color 1 Synchrono- us Color 3) Alternately (Color 2 Synchronous Color 4) (Phase 2)	YES	N/C	N/C	N/C	N/C	N/C	N/C	N/C	N/C	N/C	N/C
	34	63	ECER65/SAE Quad 120FPM (Color 1 Alternately Color 2) Alternately (Color 3 Alternately Color 4)	YES	N/C	N/C	N/C	N/C	N/C	N/C	N/C	N/C	N/C	N/C	
8			64	Modulation (Color 1 Synchronous color 3) Alternately (Color 2 Synchronous Color 4)	NO	N/C	N/C	N/C	N/C	N/C	N/C	N/C	N/C	N/C	
9			65	2 Double, 2 Quad (Color 1 Synchronous Color 3) Alternately (Color 2 Synchronous Color 4)	NO	N/C	N/C	N/C	N/C	N/C	N/C	N/C	N/C	N/C	
10			66	4 Single, 2 Triple (Color 1 Synchronous Color 3) Alternately (Color 2 Synchronous Color 4)	NO	N/C	N/C	N/C	N/C	N/C	N/C	N/C	N/C	N/C	
11			67	1 Double, 1 Triple, 1 Quad/Color 1 Synchronous Color 3) Alternately Color 2 Synchronous Color 4)	NO	N/C	N/C	N/C	N/C	N/C	N/C	N/C	N/C	N/C	

				SAE J595					CA T13			ECE R65			
PAT- TERN	LED color 1 & Color 3 Red line	LED Color 2 & Color 4 White line	LED Color 1 & Color 3 LED Color 2 & Color 4 White & Red line	ED3701/ED3702 FLASH PATTERN	SYNCH	RED	AMBER	BLUE	WHITE	RED	AMBER	BLUE	RED	AMBER	BLUE
12	35		68	Steady burn- Color 1 & 3	NO	N/C	N/C	N/C	N/C	N/C	N/C	N/C	N/C	N/C	N/C
		35	69	Steady burn- Color 2 & 4	NO	N/C	N/C	N/C	N/C	N/C	N/C	N/C	N/C	N/C	N/C

## Trouble Shooting

The ED3701-ED3702 series has been factory tested and approved. If the functions of the device fail, please check the following:

1. After connecting with the power supply, be sure that the power source end is joined correctly. Make sure there is not a short circuit.
2. Plug in the device; ensure the LED power switch is on.
3. Make sure unit is grounded properly.

### Manufacturer Limited Warranty and Limitation of Liability:

Manufacturer warrants that on the date of purchase, this product will conform to Manufacturer's specifications for this product (which are available from the Manufacturer upon request). This Limited Warranty extends for thirty-six (36) months from the date of purchase.

**DAMAGE TO PARTS OR PRODUCTS RESULTING FROM TAMPERING, ACCIDENT, ABUSE, MISUSE, NEGLIGENCE, UNAPPROVED MODIFICATIONS, FIRE OR OTHER HAZARD; IMPROPER INSTALLATION OR OPERATION; OR NOT BEING MAINTAINED IN ACCORDANCE WITH THE MAINTENANCE PROCEDURES SET FORTH IN MANUFACTURER'S INSTALLATION AND OPERATING INSTRUCTIONS VOIDS THIS LIMITED WARRANTY.**

#### Exclusion of Other Warranties:

MANUFACTURER MAKES NO OTHER WARRANTIES, EXPRESSED OR IMPLIED. THE IMPLIED WARRANTIES FOR MERCHANTABILITY, QUALITY OR FITNESS FOR A PARTICULAR PURPOSE, OR ARISING FROM A COURSE OF DEALING, USAGE OR TRADE PRACTICE ARE HEREBY EXCLUDED AND SHALL NOT APPLY TO THE PRODUCT AND ARE HEREBY DISCLAIMED, EXCEPT TO THE EXTENT PROHIBITED BY APPLICABLE LAW. ORAL STATEMENTS OR REPRESENTATIONS ABOUT THE PRODUCT DO NOT CONSTITUTE WARRANTIES.

#### Remedies and Limitation of Liability:

MANUFACTURER'S SOLE LIABILITY AND BUYER'S EXCLUSIVE REMEDY IN CONTRACT, TORT (INCLUDING NEGLIGENCE), OR UNDER ANY OTHER THEORY AGAINST MANUFACTURER REGARDING THE PRODUCT AND ITS USE SHALL BE, AT MANUFACTURER'S DISCRETION, THE REPLACEMENT OR REPAIR OF THE PRODUCT, OR THE REFUND OF THE PURCHASE PRICE PAID BY BUYER FOR NON-CONFORMING PRODUCT. IN NO EVENT SHALL MANUFACTURER'S LIABILITY ARISING OUT OF THIS LIMITED WARRANTY OR ANY OTHER CLAIM RELATED TO THE MANUFACTURER'S PRODUCTS EXCEED THE AMOUNT PAID FOR THE PRODUCT BY BUYER AT THE TIME OF THE ORIGINAL PURCHASE. IN NO EVENT SHALL MANUFACTURER BE LIABLE FOR LOST PROFITS, THE COST OF SUBSTITUTE EQUIPMENT OR LABOR, PROPERTY DAMAGE, OR OTHER SPECIAL, CONSEQUENTIAL, OR INCIDENTAL DAMAGES BASED UPON ANY CLAIM FOR BREACH OF CONTRACT, IMPROPER INSTALLATION, NEGLIGENCE, OR OTHER CLAIM, EVEN IF MANUFACTURER OR A MANUFACTURER'S REPRESENTATIVE HAS BEEN ADVISED OF THE POSSIBILITY OF SUCH DAMAGES. MANUFACTURER SHALL HAVE NO FURTHER OBLIGATION OR LIABILITY WITH RESPECT TO THE PRODUCT OR ITS SALE, OPERATION AND USE, AND MANUFACTURER NEITHER ASSUMES NOR AUTHORIZES THE ASSUMPTION OF ANY OTHER OBLIGATION OR LIABILITY IN CONNECTION WITH SUCH PRODUCT.

This Limited Warranty defines specific legal rights. You may have other legal rights which vary from jurisdiction to jurisdiction. Some jurisdictions do not allow the exclusion or limitation of incidental or consequential damages.



833 West Diamond St  
Boise, Idaho 83705

**Customer Service**

USA 800-635-5900

UK +44 (0)113 237 5340

AUS +61 (0)3 63322444

[www.eccosafetygroup.com](http://www.eccosafetygroup.com)



# ECCO®


## Instrucciones de instalación y operación LED direccional

Los LED direccionales ED3701 y ED3702 son luces de advertencia brillantes y versátiles que se adaptan a una amplia gama de aplicaciones. Su perfil ultrabajo las hace fáciles de instalar en casi cualquier lugar del vehículo. Ambos modelos ofrecen una amplia óptica de ángulo con patrones de flash múltiples, inclusive sincronización con otras unidades para operaciones en simultáneo o alternadas. Los modelos ED3701 tienen 6 LED y están disponibles en un color único o en colores divididos (3 LED de cada color). El ED3702 es una luz de dos colores que tiene 12 LED (6 de cada color) y está disponible en 7 configuraciones de color. Este manual brinda información sobre la instalación, seguridad, funcionamiento, mantenimiento, reemplazo de partes y garantía.



### ⚠ ¡ADVERTENCIA!

En caso de no instalar ni utilizar este producto conforme a las sugerencias del fabricante se podrían ocasionar daños a la propiedad, lesiones graves personales o el deceso del usuario y de las personas que se busca proteger.

 No instale u opere este producto de seguridad a menos que haya leído y comprendido la información de seguridad que contiene este manual.

1. Para garantizar su seguridad y la de todos aquellos a los que desea proteger, es importante que exista una adecuada instalación, así como también una capacitación de los operadores para el uso, el cuidado y el mantenimiento de los dispositivos de alerta de emergencias.
2. Opere con precaución cuando trabaje con conexiones eléctricas en tensión.
3. El producto deber conectarse a tierra adecuadamente. Una conexión incorrecta o cortocircuito en las conexiones eléctricas puede ocasionar arcos de alta tensión lo que, a su vez, puede producir heridas o daños a su vehículo y fuego inclusive.
4. Para un buen desempeño del dispositivo de alerta, es de vital importancia que exista una instalación y una ubicación adecuadas. Instale este producto de modo que el rendimiento del sistema se maximice y los controles se ubiquen al alcance del operador, de esta manera éste podrá operar el sistema sin perder el contacto visual de la calzada.
5. No instale el producto o fije algún cable en el área de despliegue de la bolsa de aire. Los equipos que se instalen o se coloquen en el área de despliegue de la bolsa de aire pueden reducir la efectividad de la bolsa, o convertirse en un proyectil que puede ocasionar heridas e incluso la muerte. Consulte el manual de usuario del vehículo acerca del área de despliegue de la bolsa de aire. Es responsabilidad del usuario/operador determinar una ubicación adecuada para la instalación, con el fin de garantizar la seguridad de todos los pasajeros dentro del vehículo y evitar particularmente las potenciales áreas de impacto de la cabeza.
6. Es responsabilidad del operador del vehículo asegurarse de que todas las características del producto funcionen correctamente durante su operación. Durante su operación, el operador del vehículo debe asegurarse de que la proyección de las señales de alerta no se encuentre bloqueada por componentes propios del vehículo (es decir, baúles o puertas abiertas), personas, vehículos u otras obstrucciones.
7. El uso de este o cualquier otro dispositivo de alerta no garantiza que todos los conductores puedan observar o reaccionar a las señales de advertencia. Nunca subestime el derecho de paso. Es su responsabilidad asegurarse de que pueda proceder con seguridad antes de ingresar en una intersección, conducir en contra del tráfico o a alta velocidad, y caminar por o alrededor de carriles de circulación.
8. Este equipo debe operarse solo por personal autorizado. El usuario es responsable de comprender y obedecer todas las leyes con respecto a los dispositivos de señales de alerta. Por lo tanto, el usuario debe revisar todas las leyes y regulaciones aplicables tanto las correspondientes a la ciudad como las estatales y federales. El fabricante no asume ninguna responsabilidad por la pérdida como resultado del uso del dispositivo de alerta.

### CONTENIDO:

1	Cabezal luminoso
1	Junta:
	Incluye-
	2- Tornillos para chapa de metal M4x25

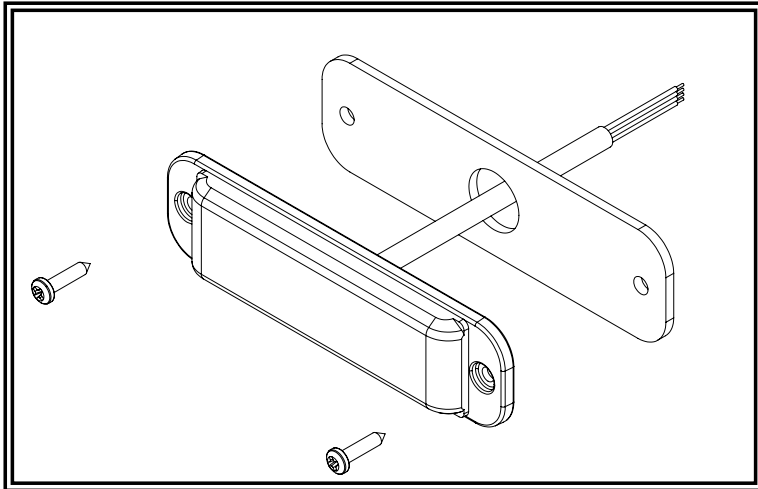
**¡Importante!** Esta unidad es un dispositivo de seguridad y debe conectarse a su propia alimentación con fusible para garantizar un servicio continuo en el caso de que falle cualquier otro accesorio eléctrico.

**Precaución:** Al perforar cualquier superficie del vehículo, asegúrese de que no haya cables eléctricos, mangueras de combustible, tapicería, etc. en el área que pudiesen dañarse.

### ESPECIFICACIONES:

Voltaje de entrada	12-24 VDC
Corriente de trabajo	ED3701 = 1,0 A@12 VDC
	ED3702 = 1,2 A@12 VDC

## Montaje:



### Cable: ED3701

ROJO: Positivo (necesita agregar un fusible de 2 A)  
NEGRO: Negativo  
AZUL: Interruptor de patrón  
AMARILLO: Función sincronizada (Se pueden sincronizar hasta 8 unidades)

### Cable: ED3702

ROJO: Positivo, colores 1 y 3 (necesitan un fusible de 5 A)  
BLANCO: Positivo, colores 2 y 4 (necesitan un fusible de 5 A)  
NEGRO: Negativo  
AZUL: Seleccione patrón para negativo  
AMARILLO: Función sincronizada (Se pueden sincronizar hasta 8 unidades)

### Ambiente de operación:

Temperatura ambiental: -30 a 50 °C

### Operación de la fase:

Fase 1 (F1) Destella en simultáneo con F1  
Fase 2 (F2) Destella en simultáneo con F2  
F1 alterna con F2

(Se pueden sincronizar hasta 8 unidades)

### Aplicar el cable AZUL AL NEGRO:

- Menos de 1 segundo para el próximo patrón
- Entre 1-3 segundos para el patrón anterior
- Entre 3-5 segundos para el patrón por defecto de fábrica
- Más de 5 ser para patrón 12 (ED3702) y patrón 13 (ED3701)

### Localización de fallas

Las series ED3701-ED3702 han sido probadas en fábrica y aprobadas. Si las funciones del dispositivo fallan, verifique lo siguiente:

1. Luego de conectar la alimentación, asegúrese de que el extremo de la fuente de energía esté bien conectado. Asegúrese de que no haya un cortocircuito.

2. Enchufe el dispositivo, asegúrese de que el interruptor de encendido LED esté encendido.
3. Asegúrese de que la unidad esté correctamente conectada a tierra.



**Limitación de responsabilidad y garantía limitada del fabricante:**

El fabricante garantiza que al momento de la compra, este producto cumple con las especificaciones del fabricante para el mismo (disponibles a pedido). El fabricante garantiza además que el presente producto está libre de defectos en sus materiales y en su fabricación. Esta garantía limitada se extiende durante treinta y seis (36) meses a partir de la fecha de la compra. Pueden aplicarse otras garantías. Para más información, comuníquese con el fabricante. El fabricante, a criterio propio, reparará o cambiará todo producto que determine como defectuoso y que esté sujeto a la presente garantía limitada.

**EL DAÑO A LAS PIEZAS O PRODUCTOS QUE RESULTE DE LA MANIPULACIÓN INDEBIDA, ACCIDENTES, ABUSO, USO INDEBIDO, NEGLIGENCIA, MODIFICACIONES NO APROBADAS, INCENDIOS U OTROS PELIGROS, LA INSTALACIÓN O EL USO INCORRECTOS O LA FALTA DE MANTENIMIENTO CONFORME A LOS PROCEDIMIENTOS DE MANTENIMIENTO QUE SE ESTABLECEN EN LAS INSTRUCCIONES DE INSTALACIÓN Y USO DEL FABRICANTE, ANULA LA PRESENTE GARANTÍA LIMITADA.**

**LAS REPRESENTACIONES O DESCRIPCIONES ORALES DEL PRODUCTO QUE PUEDAN HABER SIDO REALIZADAS POR VENDEDORES, DISTRIBUIDORES, AGENTES U OTROS REPRESENTANTES DEL FABRICANTE NO CONSTITUYEN GARANTÍAS. ESTA GARANTÍA LIMITADA NO PODRÁ ENMENDARSE, MODIFICARSE NI AMPLIARSE EXCEPTO MEDIANTE UN ACUERDO ESCRITO FIRMADO POR UN REPRESENTANTE AUTORIZADO DEL FABRICANTE QUE HAGA REFERENCIA EN FORMA EXPRESA A ELLA.**

**Exclusión de otras garantías:** EL FABRICANTE NO OTORGA NINGUNA OTRA GARANTÍA, EXPRESA O IMPLÍCITA. MEDIANTE LA PRESENTE, SE EXCLUYEN LAS GARANTÍAS IMPLÍCITAS DE COMERCIABILIDAD O APTITUD PARA UN PROPOSITO EN PARTICULAR, QUE NO SE APLICARÁN AL PRODUCTO. EL ÚNICO Y EXCLUSIVO REMEDIO DEL COMPRADOR CON RESPECTO AL CONTRATO, DERECHOS POR DAÑOS O CUALQUIER OTRA TEORÍA CONTRA EL FABRICANTE RELACIONADA CON EL PRODUCTO Y SU USO SERÁ LA REPARACIÓN O EL REEMPLAZO DEL PRODUCTO SEGÚN SE DESCRIBE ANTERIORMENTE.

**Limitación de responsabilidad:** EN EL CASO DE RESPONSABILIDAD POR DAÑOS QUE SURJAN DE LA PRESENTE GARANTÍA LIMITADA O POR CUALQUIER OTRO RECLAMO RELACIONADO CON LOS PRODUCTOS DEL FABRICANTE, CON LA RESPONSABILIDAD DEL FABRICANTE FRENTE A LOS DAÑOS, QUEDARÁ LIMITADA AL IMPORTE PAGADO POR EL PRODUCTO EN EL MOMENTO DE LA COMPRA ORIGINAL. EL FABRICANTE NO SERÁ RESPONSABLE, BAJO NINGÚN MOTIVO, POR EL LUCRO CESANTE, EL COSTO DE LA MANO DE OBRA NI DEL EQUIPO DE SUSTITUCIÓN, DAÑOS A LA PROPIEDAD NI POR OTROS DAÑOS ESPECIALES, RESULTANTES O INDIRECTOS EN FUNCIÓN DE RECLAMOS POR INCUMPLIMIENTO CONTRACTUAL, INSTALACIÓN INAPROPIADA, NEGLIGENCIA U OTROS, INCLUSO SI EL FABRICANTE O UNO DE SUS REPRESENTANTES HUBIESE ANTICIPADO LA POSIBILIDAD DE DICHOS DAÑOS. EL FABRICANTE NO TENDRÁ NINGUNA OTRA OBLIGACIÓN O RESPONSABILIDAD RESPECTO DEL PRODUCTO O SU VENTA, OPERACIÓN Y USO NI SUPONE O AUTORIZA QUE SE SUPONGA TODA OTRA OBLIGACIÓN O RESPONSABILIDAD RELACIONADAS CON DICHO PRODUCTO.

Esta garantía limitada define los derechos legales específicos. Es posible que tenga otros derechos legales que varían de estado a estado. Algunos estados no permiten la exclusión o limitación de daños resultantes o indirectos.



833 West Diamond St.

Boise, Idaho 83705

Servicio al cliente

EE.UU. 800.635.5900

Reino Unido +44 (0)113 237 5340

AUS +61 (0)3 63322444

[www.eccosafetygroup.com](http://www.eccosafetygroup.com)



# ECCO®

## Instructions d'installation et d'utilisation DEL directionnelle

Les DEL directionnelles ED3701 et ED3702 sont des lampes d'avertissement lumineuses et polyvalentes, adaptées à un grand nombre d'applications. Leur profil ultra discret permet une installation facile, presque n'importe où sur le véhicule. Les deux modèles offrent des optiques grand-angles et plusieurs modes de clignotement, ainsi que la synchronisation avec d'autres unités pour un fonctionnement simultané ou alterné. Les modèles ED3701 sont équipés de 6 DEL et sont disponibles en couleur unie ou en couleur irisée (3 DEL de chaque couleur). L'ED3702 est une lampe à deux couleurs, dotée de 12 DEL (6 de chaque couleur) et qui offre 7 configurations de couleurs différentes. Le présent manuel fournit des informations sur l'installation, le fonctionnement, la sécurité, la maintenance, les pièces de rechange et la garantie du produit.



### AVERTISSEMENT!

Le non-respect des recommandations d'installation ou d'utilisation du fabricant peut entraîner des matériels, de graves blessures et/ou votre mort et celle de ceux que vous cherchez à protéger!



N'installez et/ou n'utilisez ce produit de sécurité que si vous avez lu et compris les informations de sécurité contenues dans ce manuel.

1. Une bonne installation et une parfaite connaissance de l'utilisation, de l'entretien et de la maintenance des dispositifs d'avertissement d'urgence sont essentielles pour assurer votre sécurité et celle des personnes que vous cherchez à protéger.
2. Faites preuve de prudence lorsque vous manipulez des connexions électriques.
3. Ce produit doit être correctement mis à la terre. Une mise à la terre inappropriée et/ou un court-circuitage des connexions électriques peuvent entraîner des arcs électriques de haute intensité qui peuvent, à leur tour, provoquer des blessures et/ou de graves dommages au véhicule, notamment des incendies.
4. Un placement et une installation appropriés sont indispensables au bon fonctionnement de ce dispositif d'avertissement. Installez ce produit pour que les performances de sortie du système soient maximisées et que les contrôles soient à portée de main du conducteur pour lui permettre d'utiliser le système sans quitter des yeux la zone de travail.
5. Ni l'installation de ce produit ni le passage des câbles ne doivent entraver le déploiement d'un coussin gonflable. L'équipement monté ou localisé dans la zone de déploiement d'un coussin gonflable peut réduire l'efficacité du coussin gonflable ou se transformer en projectile pouvant provoquer des blessures graves ou la mort. Reportez-vous au manuel de l'utilisateur de la voiture pour connaître la zone de déploiement du coussin gonflable. Il est de la responsabilité de l'utilisateur/l'opérateur de déterminer un emplacement de montage adapté, garantissant la sécurité de tous les passagers du véhicule en évitant particulièrement les zones de chocs potentiels au niveau de la tête.
6. Pendant l'utilisation, il incombe au conducteur du véhicule de s'assurer que toutes les fonctions de ce produit sont parfaitement opérationnelles. Lors de l'utilisation, le conducteur du véhicule doit s'assurer que la projection du signal d'avertissement n'est pas bloquée par des composants du véhicule (p. ex., coffres ouverts ou portes de compartiment ouvertes), des personnes, des véhicules ou d'autres obstacles.
7. L'utilisation de ce dispositif ou de tout autre dispositif d'avertissement ne garantit pas que tous les conducteurs verront le signal d'avertissement ni qu'ils agiront en conséquence. Ne tenez jamais la priorité pour acquies. Vous êtes tenu de vous assurer que vous pourrez agir en toute sécurité avant de vous engager dans une intersection, conduire en sens inverse de la circulation, réagir à une vitesse élevée ou marcher sur des voies de circulation ou autour d'elles.
8. Cet équipement est conçu pour n'être utilisé que par du personnel autorisé. L'utilisateur est tenu de comprendre l'ensemble des lois concernant les dispositifs d'avertissement d'urgence, et de les respecter. L'utilisateur est donc tenu de vérifier toutes les réglementations et lois municipales, nationales et fédérales applicables. Le fabricant n'assume aucune responsabilité pour toute perte résultant de l'utilisation de ce dispositif d'avertissement.

### CONTENU :

1	Projecteur
1	Joint :
	Comprend :
	2- M4x25 vis à tôle

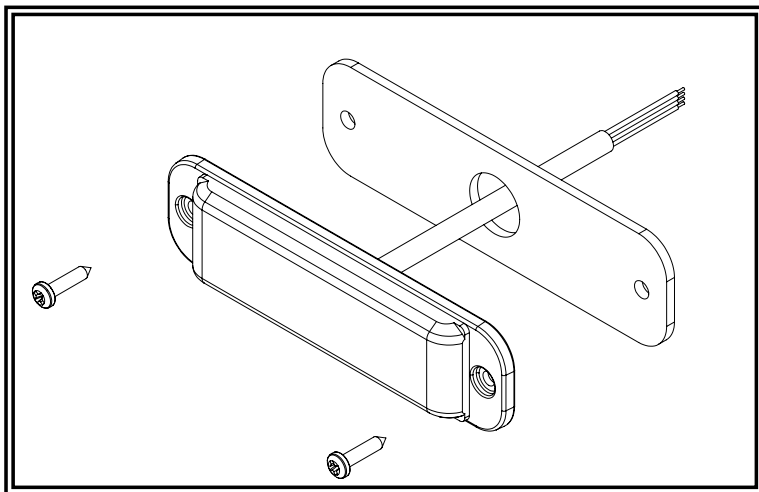
### CARACTÉRISTIQUES TECHNIQUES :

Tension d'entrée	12-24 VCC
Courant de fonctionnement	ED3701 = 1,0 A à 12 VCC
	ED3702 = 1,2 A à 12 VCC

**Important!** Cette unité est un dispositif de sécurité et doit être reliée à son propre point d'impulsion distinct muni d'un fusible pour assurer son fonctionnement continu au cas où un autre accessoire électrique tomberait en panne.

**Attention :** lorsque vous percez un trou dans une surface de véhicule, assurez-vous que cette zone est exempte de fils électriques, de canalisations d'essence, de garniture souple, etc. qui pourraient être endommagés

## Montage :



### Fil : ED3701

ROUGE : Positif (il faut ajouter un fusible de 2 A)  
NOIR : Négatif  
BLEU : Interrupteur de mode  
JAUNE : Fonction synchronisée  
(jusqu'à 8 unités peuvent être synchronisées)

### Fil : ED3702

ROUGE : Positif, couleurs 1 et 3 (il faut ajouter un fusible 5 A)  
BLANC : Positif, couleurs 2 et 4 (il faut ajouter un fusible 5 A)  
NOIR : Négatif  
BLEU : Sélection de mode négatif  
JAUNE : Fonction synchronisée  
(jusqu'à 8 unités peuvent être synchronisées)

### Environnement de fonctionnement :

**Température ambiante** : -30 à 50 °C

### Fonctionnement par phase :

Phase 1 (Ph1) clignote en même temps que Ph1  
Phase 2 (Ph2) clignote en même temps que Ph2  
Ph1 alterne avec Ph2

(jusqu'à 8 unités peuvent être synchronisées)

### Appliquez le fil BLEU À NOIR :

- Moins de 1 sec. pour le mode suivant
- Entre 1 et 3 s pour le mode précédent
- Entre 3 et 5 s pour le mode usine par défaut
- Plus de 5 sec. pour le mode 12 (ED3702) et le mode 13 (ED3701)

## Dépannage

La série ED3701-ED3702 a été testée et approuvée en usine. Si les fonctions de l'appareil sont défectueuses, veuillez vérifier les choses suivantes :

1. Après raccordement à l'alimentation électrique, assurez-vous que le raccordement est correct du côté de la source d'alimentation. Assurez-vous qu'il n'y a pas de court-circuit.
2. Branchez le dispositif, assurez-vous que l'interrupteur d'alimentation de la DEL est allumé.
3. Assurez-vous que l'unité est correctement mise à la terre.

**Garantie limitée et limitation de responsabilité du fabricant :**

Le fabricant garantit qu'à la date d'achat ce produit sera conforme aux caractéristiques techniques définies par ses soins (disponibles sur demande) et qu'il est exempt de vices de fabrication et de main-d'œuvre. La présente garantie limitée est valable trente-six (36) mois à compter de la date d'achat. D'autres garanties peuvent s'appliquer. Pour plus d'informations, contactez le fabricant. Le fabricant réparera ou remplacera, à son entière discrétion, tout produit qu'il jugera défectueux, sous réserve de la présente garantie limitée.

**LA PRÉSENTE GARANTIE LIMITÉE EST NULLE ET NON AVENUE EN CAS D'ENDOMMAGEMENT DE PIÈCES OU DE PRODUITS RÉSULTANT D'UNE ALTÉRATION, D'UN ACCIDENT, D'UN ABUS, D'UNE MAUVAISE UTILISATION, D'UNE NÉGLIGENCE, DE MODIFICATIONS NON AUTORISÉES, D'UN INCENDIE OU D'UN AUTRE DANGER; D'UNE MAUVAISE INSTALLATION OU D'UN FONCTIONNEMENT INCORRECT; OU ENCORE D'UN ENTRETIEN NON CONFORME AUX PROCÉDURES D'ENTRETIEN DÉFINIES DANS LES INSTRUCTIONS D'INSTALLATION ET D'UTILISATION DU FABRICANT.**

**LES DÉCLARATIONS OU OBSERVATIONS ORALES AU SUJET DU PRODUIT QUI POURRAIENT AVOIR ÉTÉ FAITES PAR DES VENDEURS, DES REVENDEURS, DES AGENTS OU D'AUTRES REPRÉSENTANTS DU FABRICANT NE CONSTITUENT PAS DES GARANTIES. LA PRÉSENTE GARANTIE LIMITÉE NE PEUT ÊTRE MODIFIÉE ET SON CHAMP D'APPLICATION NE PEUT ÊTRE ÉLARGI EXCEPTÉ EN VERTU D'UN ACCORD ÉCRIT SIGNÉ PAR UN REPRÉSENTANT AUTORISÉ DU FABRICANT QUI FAIT EXPRESSÉMENT RÉFÉRENCE À LA PRÉSENTE GARANTIE.**

**Exclusion d'autres garanties :** LE FABRICANT N'ACCORDE AUCUNE AUTRE GARANTIE, EXPRESSE OU TACITE. LES GARANTIES IMPLICITES DE QUALITÉ MARCHANDE OU D'APTITUDE À UN USAGE PARTICULIER SONT EXCLUES ET NE S'APPLIQUERONT PAS AU PRODUIT. LE SEUL ET UNIQUE RECOURS DE L'ACHETEUR CONTRE LE FABRICANT CONCERNANT LE PRODUIT ET SON UTILISATION, QUEL QUE SOIT LE FONDEMENT DE RESPONSABILITÉ INVOQUÉ (RESPONSABILITÉ CONTRACTUELLE, DÉLICTELLE OU AUTRE), SERA LE REMPLACEMENT OU LA RÉPARATION DU PRODUIT COMME INDICÉ CI-DESSUS.

**Limitation de responsabilité :** EN CAS DE RESPONSABILITÉ POUR DES DOMMAGES DÉCOULANT DE LA PRÉSENTE GARANTIE LIMITÉE OU TOUTE AUTRE RÉCLAMATION RELATIVE AUX PRODUITS DU FABRICANT, LA RESPONSABILITÉ DU FABRICANT SE LIMITERA AU MONTANT PAYÉ POUR LE PRODUIT LORS DE L'ACHAT INITIAL. LE FABRICANT NE SERA EN AUCUN CAS RESPONSABLE DU MANQUE À GAGNER, DU CÔTÉ DE L'ÉQUIPEMENT DE SUBSTITUTION OU DE LA MAIN-D'ŒUVRE, DES DOMMAGES MATÉRIELS OU D'AUTRES DOMMAGES PARTICULIERS, INDIRECTS OU ACCESSOIRES FONDÉS SUR UNE RÉCLAMATION POUR RUPTURE DE CONTRAT, MAUVAISE INSTALLATION, NÉGLIGENCE OU TOUTE AUTRE RÉCLAMATION, MÊME SI LE FABRICANT OU L'UN DE SES REPRÉSENTANTS A ÉTÉ INFORMÉ DE L'ÉVENTUALITÉ DE TELS DOMMAGES. LE FABRICANT NE S'ACQUITTERA D'AUCUNE AUTRE OBLIGATION OU RESPONSABILITÉ QUANT AU PRODUIT OU SA VENTE, SON FONCTIONNEMENT ET SON UTILISATION, ET N'ADMET NI N'AUTORISE L'HYPOTHÈSE DE TOUTE AUTRE OBLIGATION OU RESPONSABILITÉ EN RELATION AVEC CE PRODUIT.

La présente garantie limitée vous accorde des droits juridiques spécifiques. Vous pouvez également jouir d'autres droits, lesquels peuvent varier d'un état à l'autre. Certains États n'autorisent pas l'exclusion ou la limitation de dommages indirects ou accessoires.



833 West Diamond St  
Boise, Idaho 83705  
Le Service Client  
États-Unis 800.635.5900  
Royaume-Uni +44 (0)113 237 5340  
AUS +61 (0)3 63322444  
[www.eccosafetygroup.com](http://www.eccosafetygroup.com)