

FUSION LED LIGHT

#EFL1B0(x)

#EFL1W0(x)

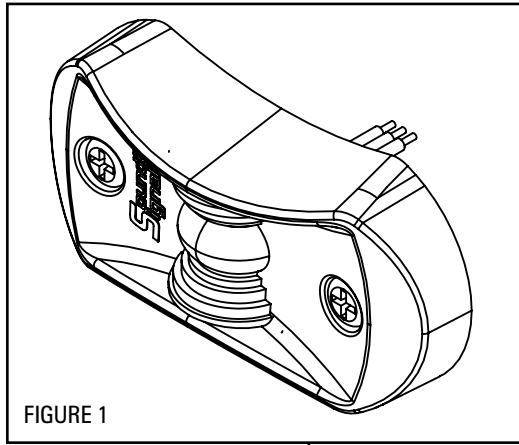


FIGURE 1

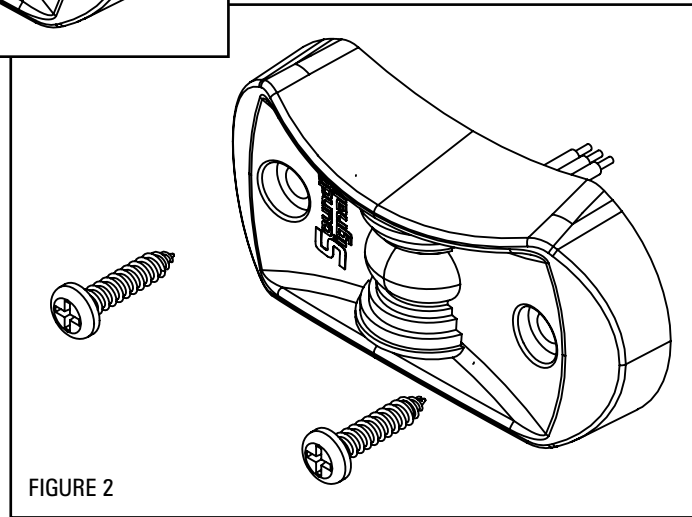


FIGURE 2

Please see last page for
Technical Specifications

Important Information:

- Warning devices are strictly regulated and governed by Federal, State and Municipal ordinances. These devices shall be used ONLY on approved vehicles. It is the sole responsibility of the user of these devices to ensure compliance.
- DO NOT install this product or route any wires in the Air Bag Deployment Zone. Refer to your vehicle Owner's Manual for the location of any air bag deployment zones.
- DO NOT connect this device to a strobe power supply. This product is self-contained and does not require an external power supply.



1.800.338.7337 / www.soundoffsignal.com

IMPORTANT INFORMATION:

Warning devices are strictly regulated and governed by Federal, State and Municipal ordinances. These devices shall be used ONLY on approved vehicles. It is the sole responsibility of the user of these devices to ensure compliance.

To review our Limited Warranty Statement & Return Policy for this or any SoundOff Signal product, visit our website at www.soundoffsignal.com/sales-support. If you have questions regarding this product, contact **Technical Services**, Monday - Friday, 8 a.m. to 5 p.m. at 1.800.338.7337 (press #4 to skip the automated message). Questions or comments that do not require immediate attention may be emailed to techservices@soundoffsignal.com.

SUPERIOR CUSTOMER RELATIONSHIPS. SMARTLY DESIGNED LIGHTING & ELECTRONIC SOLUTIONS.

INSTALLATION:

1. Establish a position on the vehicle on a level surface. Orient the light output level on the horizon.
2. Use the screw holes in the assembly as a template to mark locations of wire and mounting screws.
3. Use a 5/16" diameter drill for the wire holes
4. Size pilot holes for mounting screws appropriately.
5. Fasten light using mounting screws. Do not torque mounting screws beyond 20 in - lbs.

WIRE HOOK-UP TABLE

WIRE COLOR:	CONNECT TO:
RED	+Vdc
BLACK	Ground (-)
WHITE	Pattern Select/Sync
GREEN	Group Flash

⚠ WARNING

This product contains high intensity LED devices. To prevent eye damage, DO NOT stare into the light beam at close range.

FUSION LED LIGHT

#EFL1B0(x)

#EFL1W0(x)

Tech Specs	Fusion Lite
Flash Patterns:	6 Flash Patterns
Light Sync:	Yes
Technology:	1 Gen3 LED
Mounting:	Surface Mount
Input Voltage:	10 - 16 Vdc
Current Draw:	less than 0.1 amps
Dimensions:	Width x Height x Depth 3.125" (79.4 mm) W x 1.5" (38.5 mm) H x .75" (19.5 mm) D
Operating Temp.:	-20° to +65° C

Flash Patterns				
Pattern Name	SAE Pattern	ECE Pattern	1 Light	F.P.M. (Flashes / Minute)
1. Warp	x		x	353
2. Power Pulse	x		x	182
3. Road Runner	x		x	113
4. ECE Single		x	x	62
5. ECE Double		x	x	144
6. Quad	x		x	81

PATTERN SELECT

1. With light powered, touch White wire to Red Power wire for 1 second.

PATTERN RESET

1. With light powered, touch White wire to Red wire for 3 seconds.
2. Remove White wire from power. Pattern resets to 1.

SYNC MULTIPLE LIGHTS

1. Set up all lights to the same pattern
2. Connect White wires of all lights to sync together.
 - a. Note, only 6 lights can be synced together.
 - b. Insulate connections
3. Green Wire Connection
 - a. For Simultaneous Flashing of a group of lights:
 - i. Connect all Green wires together of the group of lights desired to flash in unison.
 - ii. All Green wires connected together form one light group
 - b. For alternating flashing of a group of lights:
 - i. Connect one group of Green wires to Power (+Vdc)
 - ii. These lights will flash in unison.
 - iii. Connect one group of Green wires together but leave floating.
 - iv. These lights will flash in unison.
 - v. Together, both light groups will alternate.
 - vi. For two lights simply connect one Green wire to Power (+Vdc) and leave the other Green wire floating.
 - vii. Insulate connections.

IMPORTANT INFORMATION:

Warning devices are strictly regulated and governed by Federal, State and Municipal ordinances. These devices shall be used ONLY on approved vehicles. It is the sole responsibility of the user of these devices to ensure compliance.

To review our Limited Warranty Statement & Return Policy for this or any SoundOff Signal product, visit our website at www.soundoffsignal.com/sales-support. If you have questions regarding this product, contact **Technical Services**, Monday - Friday, 8 a.m. to 5 p.m. at **1.800.338.7337** (press #4 to skip the automated message). Questions or comments that do not require immediate attention may be emailed to techservices@soundoffsignal.com.

SUPERIOR CUSTOMER RELATIONSHIPS. SMARTLY DESIGNED LIGHTING & ELECTRONIC SOLUTIONS.

