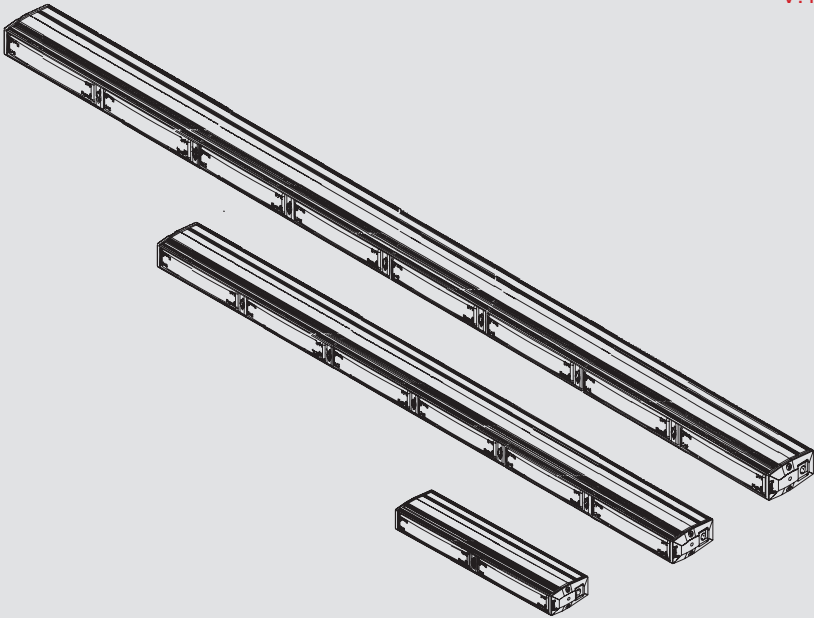


# Fusion Stick Light- Instruction Manual

V.1.1



## FUSION

### Model #

FN-0216, FN-0216D,  
FN-0416, FN-0416D,  
FN-0616, FN-0616D,  
FN-0816, FN-0816D,  
FN-8816, FN-8816D,  
FN-1016, FN-1016D

This instruction manual serves as a guide for the **Fusion Series**.

**IMPORTANT!** Please read through all provided instructions and any listed warnings in regards to product use.

Distributed By:

**SIRENNET**<sup>®</sup>



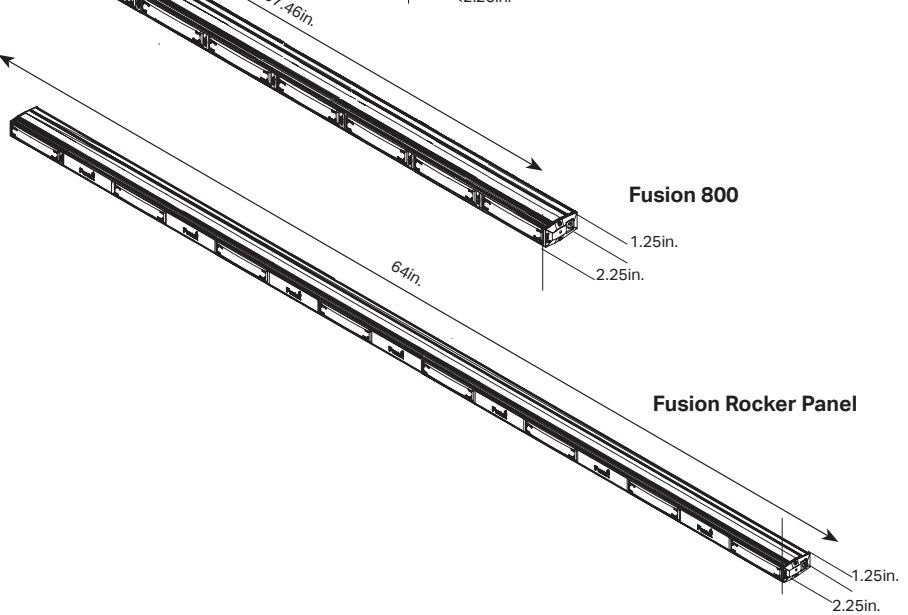
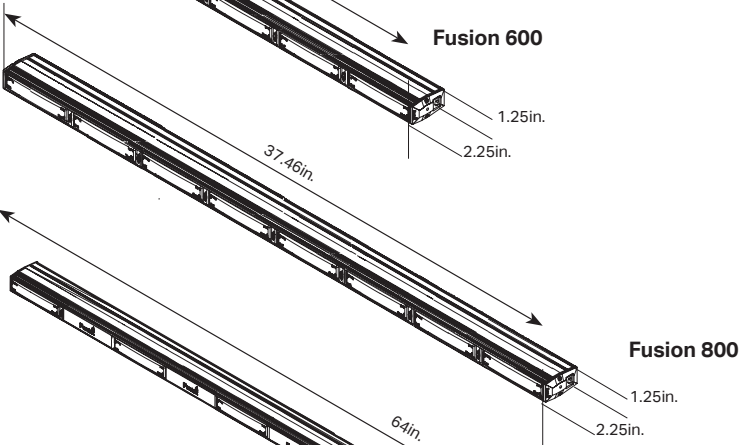
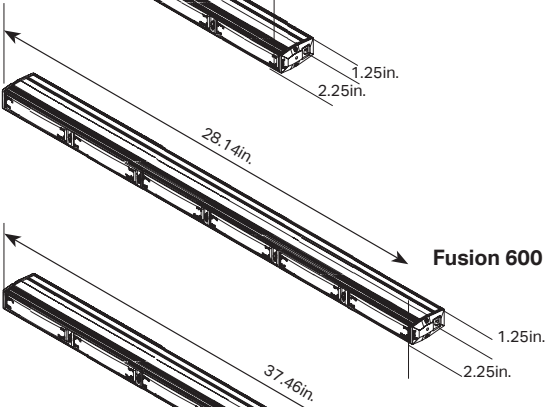
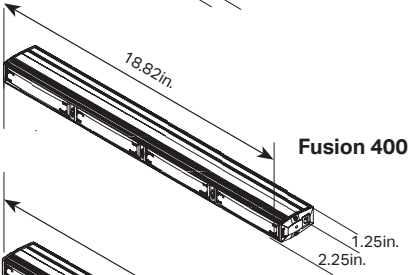
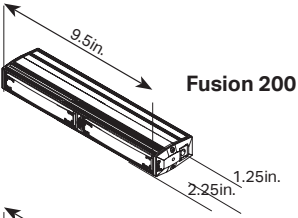
**Fenix Product Copyrights** This price List and the mentioned Fenix products include or describe copyrighted Fenix material. Laws in the United States and other countries preserve for Fenix Industries and its licensors certain exclusive rights for copyrighted material, including the exclusive right to copy, reproduce in any form, distribute and make derivative works of the copyrighted material. Accordingly, any copyrighted material of Fenix and its licensors contained herein or in the Fenix products described in this Price List may not be copied, reproduced, distributed, merged or modified/transmitted, transcribed, stored in retrieval system or translated into any language or computer language in any form or by any means, without prior written permission of Fenix Industries, Inc.. Fenix and the stylized Fenix logo are registered in the U.S. Patent & Trademark Office.

**Equipment Dimensions**..... 3

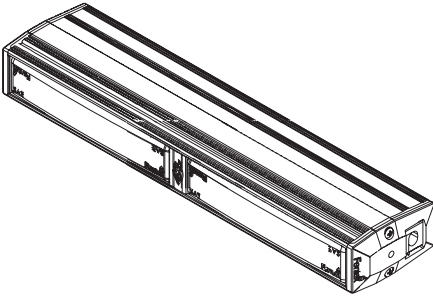
**Wiring Diagram**..... 4

**Flash Patterns**..... 7

**Mounting Instructions**..... 9



## Fusion 200 Wiring



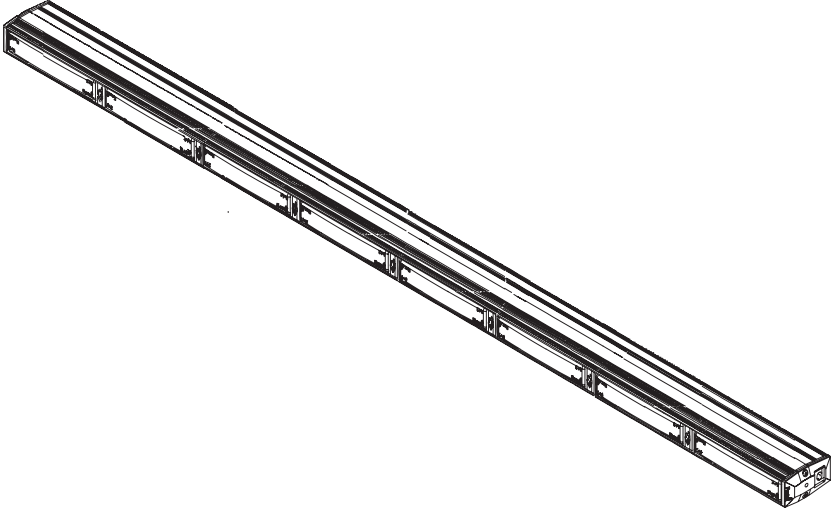
### Fusion 200 System Specification

Wire Color: Function:








■ Black	12V (-)
■ Red	12V (+) Mode 1
■ Blue	Pattern/Sync
■ Yellow	Mode 2

**Please Note!** The Fusion 200 features four wires: Red [12V+], Black [12V-], White [12V+], and Green [Flash Pattern Changer]. To change patterns, momentarily connect the green wire to the activated Black [12V-] wire. Note that Mode 2 will override Mode 1.

**Fusion 400, 600 & 800, Rocker Panel Wiring**



**Fusion 400, 600, 800 & Rocker Panel Wiring Diagram**

Wire Color:	Single Color:	Dual Color:
 Black	12V (-)	12V (-)
 Red	12V (+)	12V (+)
 White	Takedown	Takedown/Flood
 Yellow	Flash Mode	Flash Mode
 Green	Takedown Flashing*	Mode Two
 Blue	Left Arrow	Left Arrow
 Brown	Lightbar On	Mode One
 Gray	Right Arrow	Right Arrow
 Blue/Gray	Center Out	Center Out

**\*Please Note!** These modes only function when the unit has takedowns in the assembly.

Step 1: In order to power the unit, extend the red, 12V(+) wire to the 12V(+) post of the vehicle's battery. Extend the black 12V(-) wire to the ground post of the vehicle's battery.

Step 2: To turn the lightstick on, connect the brown wire to a 12V(+) source.

Step 3: Momentarily connect the yellow wire on a 12V(+) source to change flash patterns.

Step 4: For left arrow function, connect the blue wire to a 12V(+) post (switch). There are 2 different left arrow flash patterns. To select a pattern, engage the blue wire to a 12V(+) source and momentarily connect the yellow wire on a 12V(+) source to select the desired pattern.

Step 5: For right arrow function, connect the gray wire to a 12V(+) post (switch). There are 2 different right arrow flash patterns. To select a pattern, engage the gray wire a 12V(+) source and momentarily connect the yellow wire on a 12V(+) source to select the desired pattern.

Step 6: In order to achieve a center out directional pattern, connect both the gray and blue wires to a 12V(+) post (switch). There are 2 different center out flash patterns. To select a pattern, engage the blue and gray wire to a 12V(+) source and momentarily connect the yellow wire on a 12V(+) source to select the desired pattern.

Step 7: For takedown steady functionality, connect the white wire to a 12V(+) post (switch).

Step 8: For takedown flashing, connect the green wire to a 12V+ (post). Please note that for dual color bars, the green wire will activate mode 2, unless otherwise programmed.

---

**Important Note!** *Takedown steady overrides takedown flashing*

#### **Activate Takedown Flashing for Dual Color:**

Step 1: Connect the black wire to the battery's 12V(-) ground.

Step 2: Select the wire that will be set as the takedown flashing mode wire, either the green or brown wire.

Step 3: Twist the selected mode (green or brown), red, white, and yellow wires together.

Step 4: Power the lightbar on by connecting the twisted wires to the battery's positive (+). Once activated, the takedown steady function will engage. To verify takedowns are flashing, disconnect Takedown Steady (white) wire from power.

Step 5: Repeat steps 1 through 3 to deactivate Takedown Flashing.

The flash patterns are listed in consecutive order of appearance. To select a certain flash pattern, start with a recognizable pattern and use the blue wire to cycle through patterns.

**Flash Patterns Single Color:  
Fusion 400, 600, 800 & Rocker Panel**

1. Cluster
2. Attack
3. Night Ride
4. Combo Slow-Fast
5. Combo Slow
6. Combo Fast
7. Half Half Slow
8. Half Half Fast
9. One One Slow
10. One One Fast
11. Two Two Slow
12. Two Two Fast
13. All On Slow
14. All On Fast
15. In Out Slow
16. In Out Fast
17. Left Arrow Slow
18. Left Arrow Medium
19. Left Arrow Fast
20. Right Arrow Slow
21. Right Arrow Medium
22. Right Arrow Fast
23. Center Out Slow
24. Center Out Medium
25. Center Out Fast

**Flash Patterns Dual Color:  
Fusion 200, 400, 600, 800 & Rocker Panel**

1. Color 1-Cluster
2. Color 1-Attack
3. Color 1-Night Ride
4. Color 1-Combo Slow-Fast
5. Color 1-Combo Slow
6. Color 1-Combo Fast
7. Color 1-Half Half Slow
8. Color 1-Half Half Fast
9. Color 1-One One Slow
10. Color 1-One One Fast
11. Color 1-Two Two Slow
12. Color 1-Two Two Fast
13. Color 1-All On Slow
14. Color 1-All On Fast
15. Color 1-In Out Slow
16. Color 1-In Out Fast
17. Color 1-Left Arrow Slow
18. Color 1-Left Arrow Medium
19. Color 1-Left Arrow Fast
20. Color 1-Right Arrow Slow
21. Color 1-Right Arrow Medium
22. Color 1-Right Arrow Fast
23. Color 1-Center Out Slow
24. Color 1-Center Out Medium
25. Color 1-Center Out Fast
26. Color 2-Cluster
27. Color 2-Attack
28. Color 2-Night Ride
29. Color 2-Combo Slow-Fast
30. Color 2-Combo Slow
31. Color 2-Combo Fast
32. Color 2-Half Half Slow

**Flash Patterns Dual Color:  
Fusion 200, 400, 600, 800 & Rocker Panel**

- 33. Color 2-Half Half Fast
- 34. Color 2-One One Slow
- 35. Color 2-One One Fast
- 36. Color 2-Two Two Slow
- 37. Color 2-Two Two Fast
- 38. Color 2-All On Slow
- 39. Color 2-All On Fast
- 40. Color 2-In Out Slow
- 41. Color 2-In Out Fast
- 42. Color 2-Left Arrow Slow
- 43. Color 2-Left Arrow Medium
- 44. Color 2-Left Arrow Fast
- 45. Color 2-Right Arrow Slow
- 46. Color 2-Right Arrow Medium
- 47. Color 2-Right Arrow Fast
- 48. Color 2-Center Out Slow
- 49. Color 2-Center Out Medium
- 50. Color 2-Center Out Fast
- 51. Color 1&2-Cluster
- 52. Color 1&2-Attack
- 53. Color 1&2-Night Ride
- 54. Color 1&2-Combo Slow-Fast
- 55. Color 1&2-Combo Slow
- 56. Color 1&2-Combo Fast
- 57. Color 1&2-Half Half Slow
- 58. Color 1&2-Half Half Fast
- 59. Color 1&2-One One Slow
- 60. Color 1&2-One One Fast
- 61. Color 1&2-Two Two Slow
- 62. Color 1&2-Two Two Fast
- 63. Color 1&2-All On Slow
- 64. Color 1&2-All On Fast

**Flash Patterns Dual Color:  
Fusion 200, 400, 600, 800 & Rocker Panel**

- 65. Color 1&2-In Out Slow
- 66. Color 1&2-In Out Fast
- 67. Color 1&2-Left Arrow Slow
- 68. Color 1&2-Left Arrow Medium
- 69. Color 1&2-Left Arrow Fast
- 70. Color 1&2-Right Arrow Slow
- 71. Color 1&2-Right Arrow Medium
- 72. Color 1&2-Right Arrow Fast
- 73. Color 1&2-Center Out Slow
- 74. Color 1&2-Center Out Medium
- 75. Color 1&2-Center Out Fast

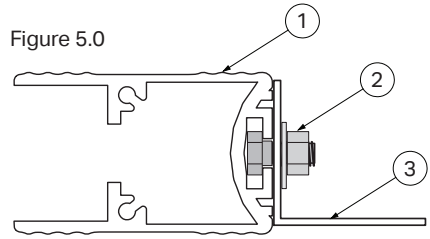


Step 1: To mount to bracketry, remove the flat endcap and slide in provided bolts in the back of the frame. Screw the flat endcap back into the aluminum extrusion with the original screws and attach bolts and nuts with the brackets.

Step 2: Mark the areas where the mounting holes will be drilled. If mounting surface is part of the vehicle, make sure no vital components could be damaged by the drilling process.

Step 3: Drill two mounting holes in the marked surface. If wires need to pass through vehicle, drill a 0.5" diameter hole for wire passage. Make sure to deburr holes thoroughly.

Step 4: Pass the wires through the 0.5" diameter hole, and secure the lighthead to the mounting surface with the provided hardware.



**Item #: Description:**

1.	Cobra Extrusion
2.	Mounting Hardware
3.	Mounting Bracket

