

GXL

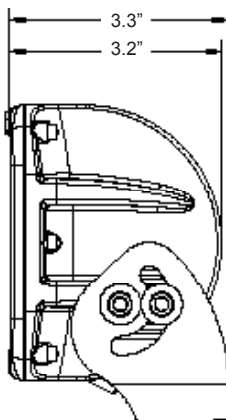
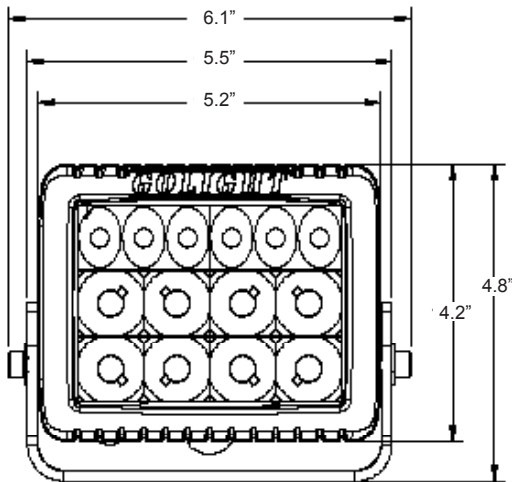
LED X TREME LIGHTING



GXL BY GOLIGHT

Fixed LED Lighting

- Multiple Illumination Options:
Spot, Flood, IR, Amber, Combinations
- 94% Optical Efficiency
- 50,000 hr. Life Expectancy
- 9-32 Volt DC Input
- IP 68 Rating
- Shock Proof Solid State Lighting
- Instant On
- Quick Adjust Mounting Cradle
- Operating Temp. Range: -40° ~ 145°F
- Low Power Draw - 5.3 amps
- Powder Coated Cast Aluminum
- 10 Year Limited Warranty



Lighting Solutions\Combinations



Spot Only
110,000 Candela
Model # - 4411



Flood Only
6,000 Lumens
Model # - 4421, 4420



GOLIGHT

Golight Inc. | 37146 Old Hwy 17 | Culbertson, NE 69024
800.557.0098 | www.golight.com | info@golight.com