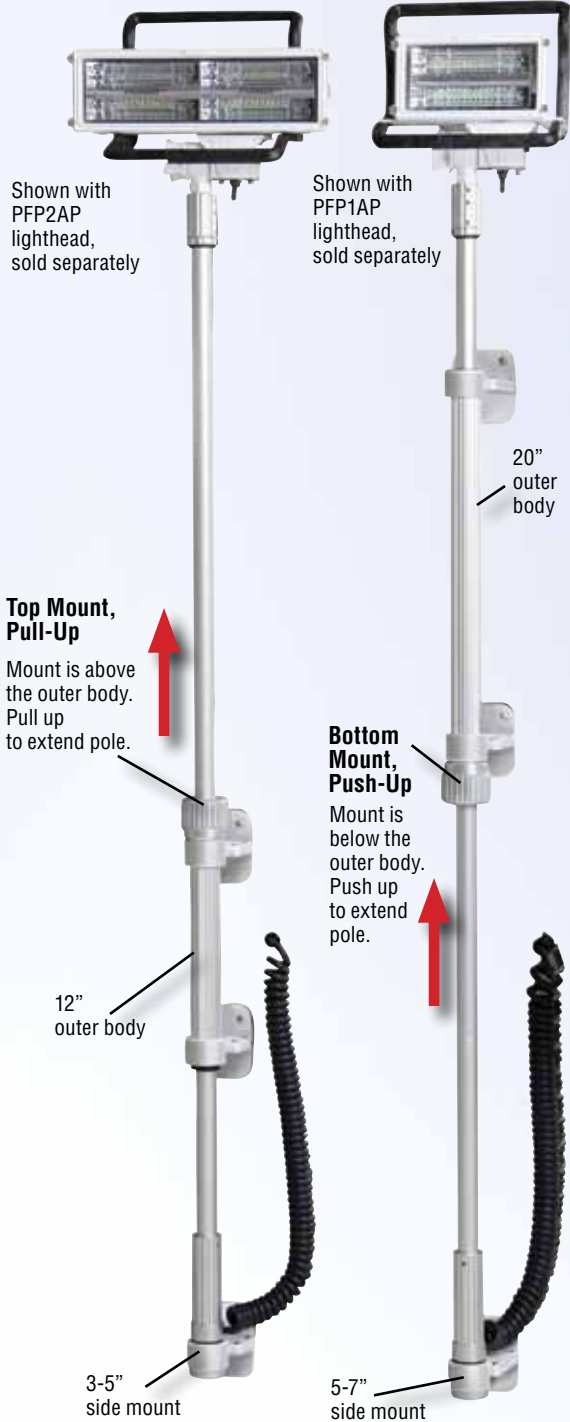


3000 Series - Side Mount - 57" - AC Pole Assemblies

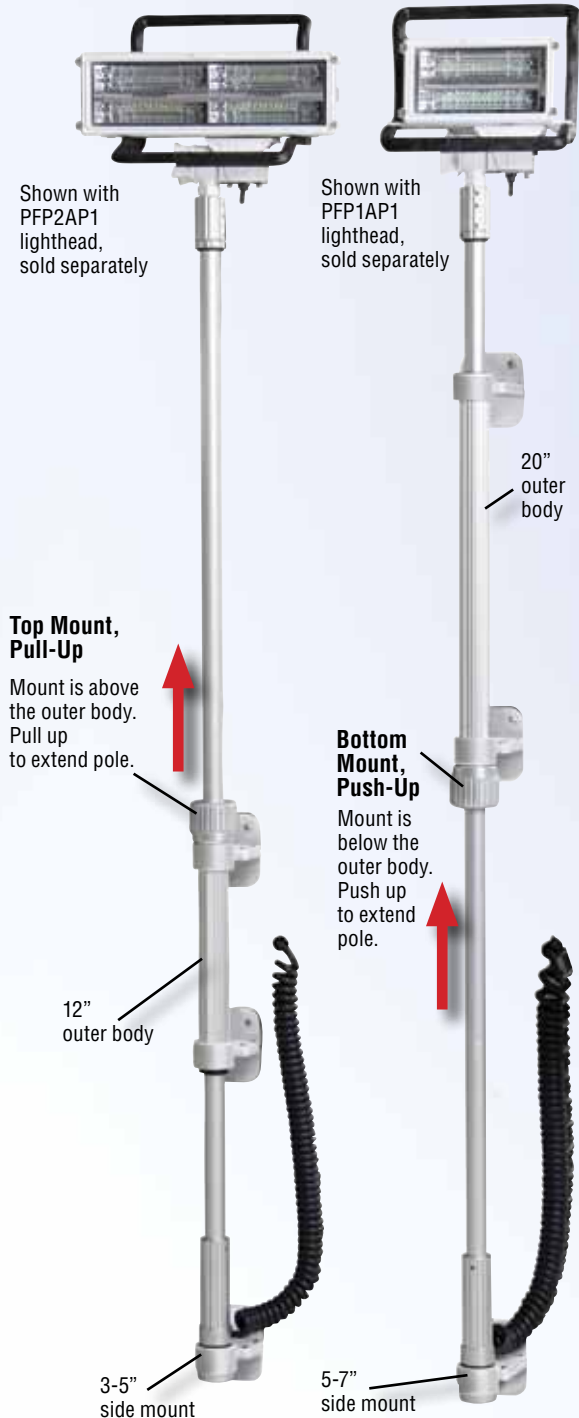
(Lightheads Purchased Separately)



Model No.	Cradle	Wire Input	Outer Body	Side Mount	Color
Top Mount - Pull-Up Poles					
86930AA1	-	3-C for AC	12"	3-5"	White
86930BA1	Cradle				Black
86930CA1	Cradle with sensor				White
86930DA1	-				Black
86930EA1	Cradle		20"	3-5"	White
86930FA1	Cradle with sensor				Black
86930AA2	-				White
86930BA2	Cradle				Black
86930CA2	Cradle with sensor		12"	5-7"	White
86930DA2	-				Black
86930EA2	Cradle				White
86930FA2	Cradle with sensor				Black
86930GA1	-		20"	5-7"	White
86930HA1	Cradle				Black
86930JA1	Cradle with sensor				White
86930KA1	-				Black
86930LA1	Cradle		12"	5-7"	White
86930MA1	Cradle with sensor				Black
86930GA2	-				White
86930HA2	Cradle				Black
86930JA2	Cradle with sensor	20"	5-7"	White	
86930KA2	-			Black	
86930LA2	Cradle			White	
86930MA2	Cradle with sensor			Black	
Bottom Mount - Push-Up Poles					
86930AA3	-	3-C for AC	12"	3-5"	White
86930BA3	Cradle				Black
86930CA3	Cradle with sensor				White
86930DA3	-				Black
86930EA3	Cradle		20"	3-5"	White
86930FA3	Cradle with sensor				Black
86930AA4	-				White
86930BA4	Cradle				Black
86930CA4	Cradle with sensor		12"	5-7"	White
86930DA4	-				Black
86930EA4	Cradle				White
86930FA4	Cradle with sensor				Black
86930GA3	-		20"	5-7"	White
86930HA3	Cradle				Black
86930JA3	Cradle with sensor				White
86930KA3	-				Black
86930LA3	Cradle		12"	5-7"	White
86930MA3	Cradle with sensor				Black
86930GA4	-				White
86930HA4	Cradle				Black
86930JA4	Cradle with sensor	20"	5-7"	White	
86930KA4	-			Black	
86930LA4	Cradle			White	
86930MA4	Cradle with sensor			Black	

3000 Series - Side Mount - 57" - DC Pole Assemblies

(Lightheads Purchased Separately)



Model No.	Cradle	Wire Input	Outer Body	Side Mount	Color	
Top Mount - Pull-Up Poles						
86930AB1	-	4-C for DC	12"	3-5"	White	
86930BB1	Cradle				Black	
86930CB1	Cradle with sensor				White	
86930DB1	-			Black		
86930EB1	Cradle			20"	3-5"	White
86930FB1	Cradle with sensor					Black
86930AB2	-		White			
86930BB2	Cradle		Black			
86930CB2	Cradle with sensor		12"	5-7"	White	
86930DB2	-				Black	
86930EB2	Cradle				White	
86930FB2	Cradle with sensor			Black		
86930GB1	-			20"	5-7"	White
86930HB1	Cradle					Black
86930JB1	Cradle with sensor		White			
86930KB1	-		20"	5-7"	Black	
86930LB1	Cradle				White	
86930MB1	Cradle with sensor				Black	
86930GB2	-			20"	5-7"	White
86930HB2	Cradle					Black
86930JB2	Cradle with sensor					White
86930KB2	-		20"	5-7"	Black	
86930LB2	Cradle				White	
86930MB2	Cradle with sensor				Black	
Bottom Mount - Push-Up Poles						
86930AB3	-	4-C for DC		12"	3-5"	White
86930BB3	Cradle					Black
86930CB3	Cradle with sensor		White			
86930DB3	-		Black			
86930EB3	Cradle		20"		3-5"	White
86930FB3	Cradle with sensor					Black
86930AB4	-			White		
86930BB4	Cradle		12"	5-7"	Black	
86930CB4	Cradle with sensor				White	
86930DB4	-				Black	
86930EB4	Cradle			20"	5-7"	White
86930FB4	Cradle with sensor					Black
86930GB3	-					White
86930HB3	Cradle		12"	5-7"	Black	
86930JB3	Cradle with sensor				White	
86930KB3	-				Black	
86930LB3	Cradle			20"	5-7"	White
86930MB3	Cradle with sensor					Black
86930GB4	-					White
86930HB4	Cradle		20"	5-7"	Black	
86930JB4	Cradle with sensor				White	
86930KB4	-				Black	
86930LB4	Cradle			20"	5-7"	White
86930MB4	Cradle with sensor					Black

3100 Series - Thru Mount - 57" Pole - AC & DC Pole Assemblies

Shown with
PCP2P2
lighthead,
sold separately



**Top Mount,
Pull-Up**

Mount is above
the vehicle's
body.
Pull up
to extend pole.

Shown with
PFP1P1
lighthead,
sold separately



**Bottom
Mount,
Push-Up**

Sensor
indicates
pole has
been seated
correctly into
cradle for
travel.

Mount is below the
vehicle's body. Push
up from
inside vehicle's
compartment
to extend pole.

(Lightheads Purchased Separately)

Model No.	Sensor	Wire Input
Top Adjust - Pull Up		
870870A1	-	3-C for AC
870871A1	Sensor	
Bottom Adjust - Push Up		
870870A2	-	3-C for AC
870871A2	Sensor	
Top Adjust - Pull Up Poles		
870870B1	-	4-C for DC
870871B1	Sensor	
Bottom Adjust - Pull Up		
870870B2	-	4-C for DC
870871B2	Sensor	

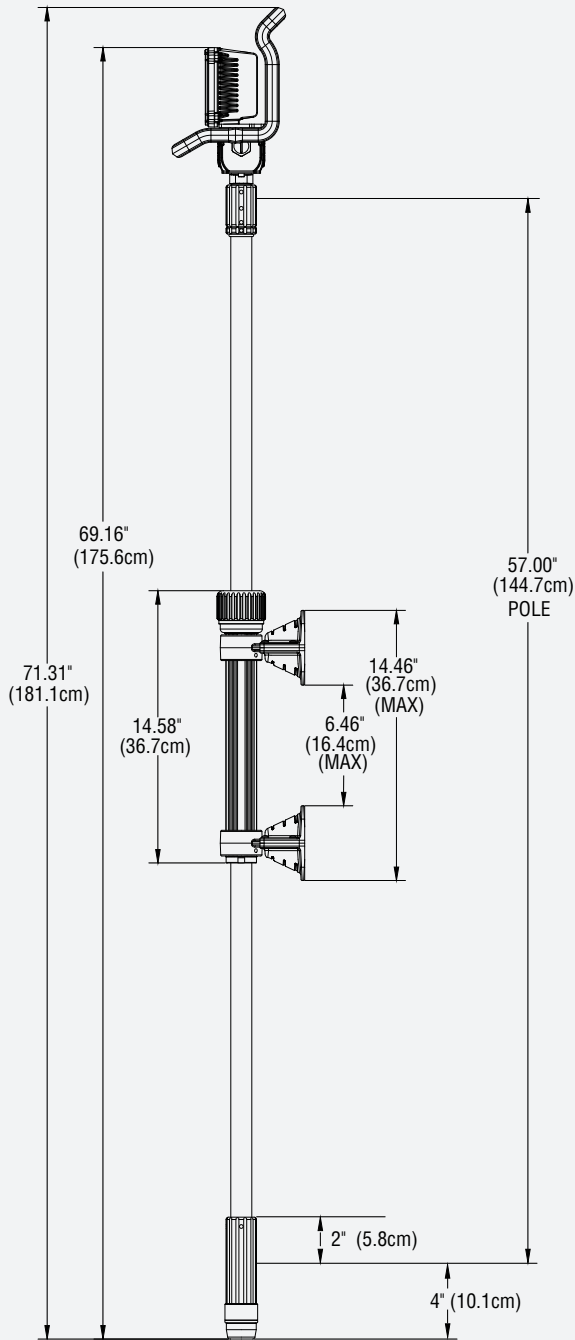


For pricing on
Pioneer assemblies
with adapter for
poles and pedestal
mounting and
mounting poles,
please request
Pole Assemblies
for use with
Pioneer & Pioneer
Plus Price List



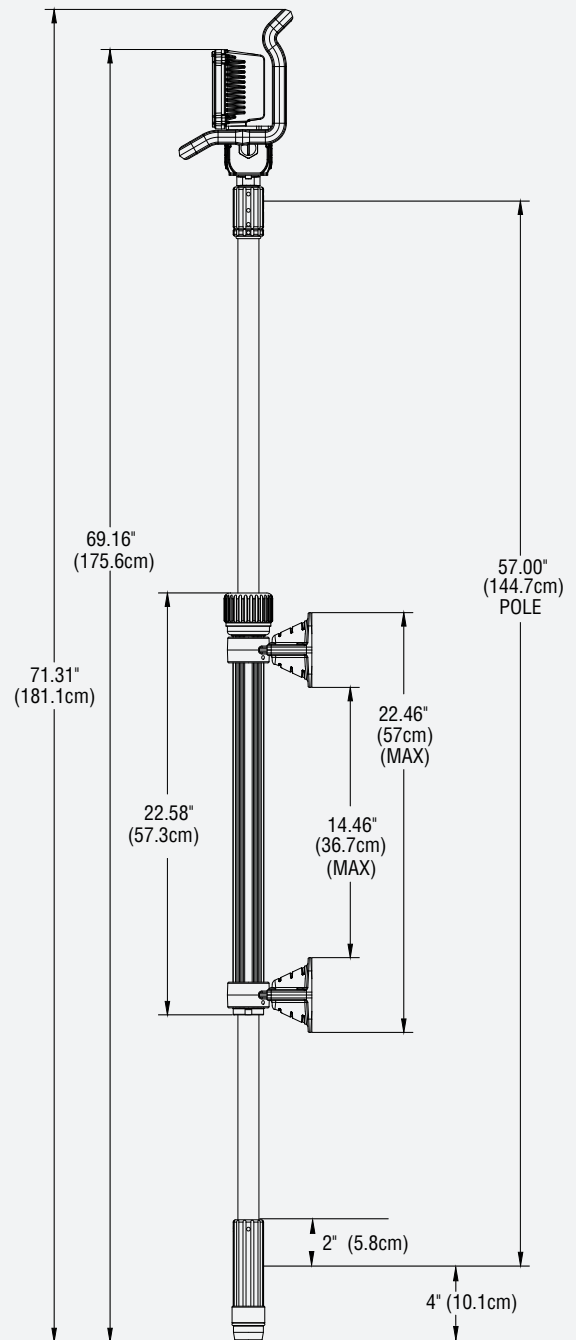
Side Mount Pole Dimensions

12" Grab Handle - Top or Bottom Adjust



Total Pole Adjustment = 37.94" (96cm)

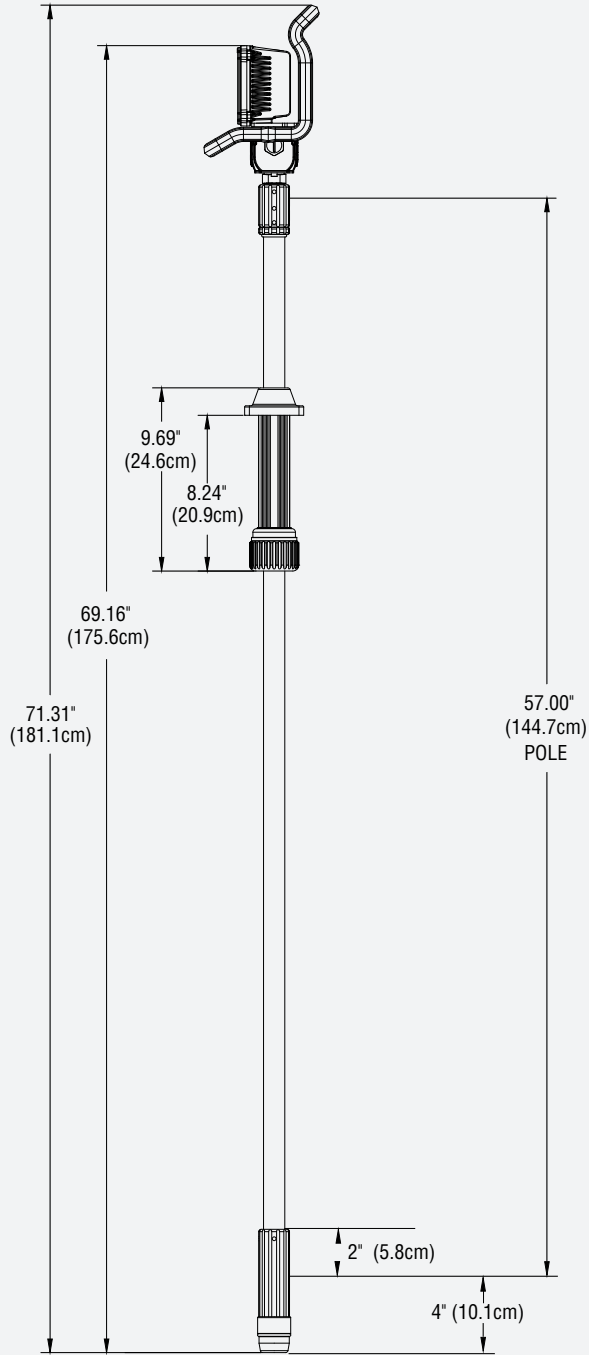
20" Grab Handle - Top or Bottom Adjust



Total Pole Adjustment = 29.94" (76cm)

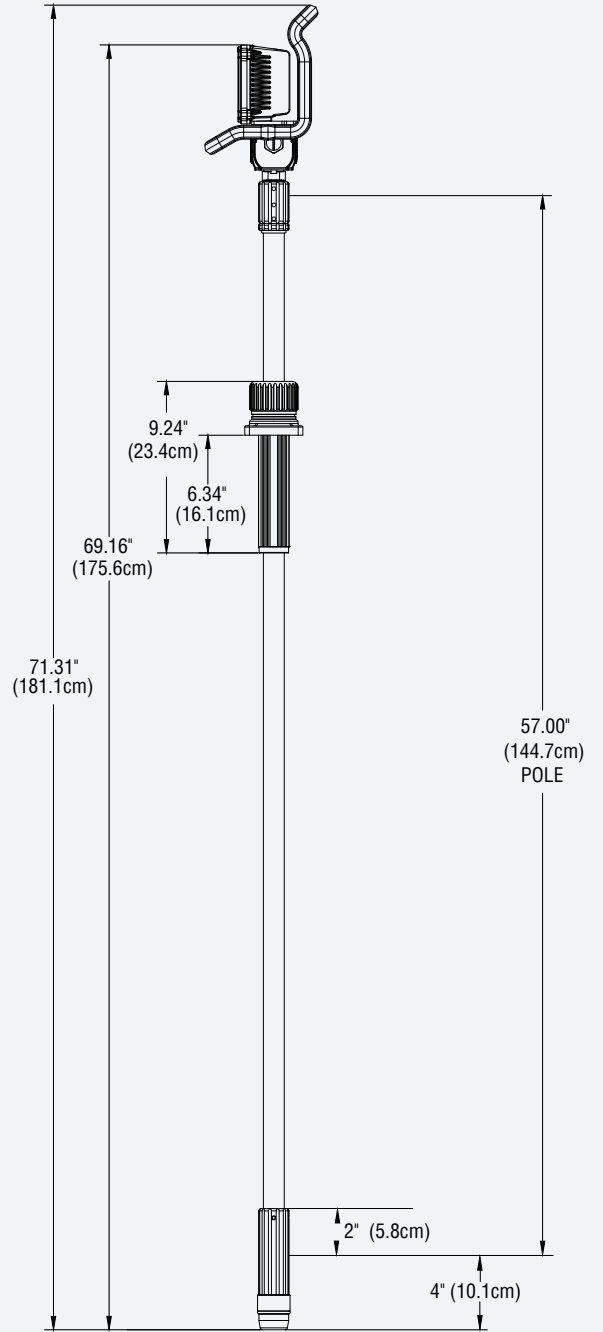
Thru Body Pole Dimensions

Top Adjust



Total Pole Adjustment = 43.27" (109cm)

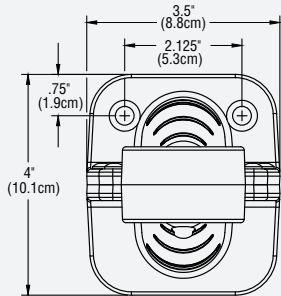
Bottom Adjust



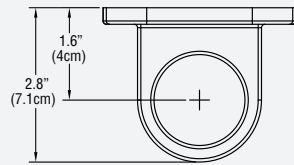
Total Pole Adjustment = 42.82" (108cm)

Side Mount Bracket Dimensions

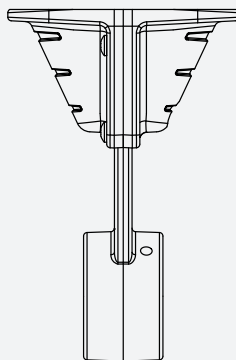
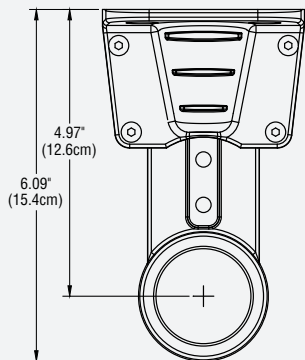
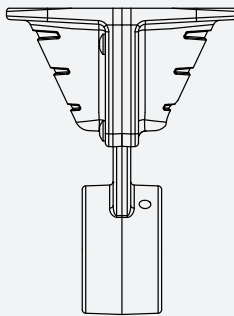
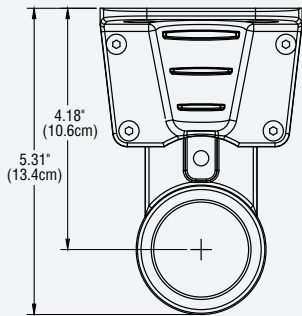
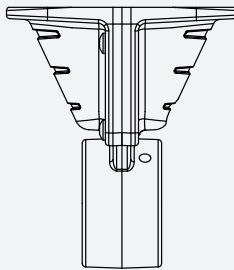
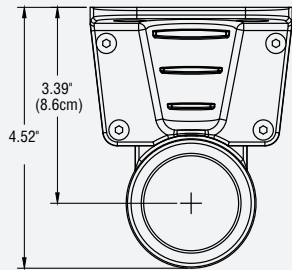
Typical Mounting Configuration



2" Offset Mounting



3" - 5" Adjustment



5" - 7" Adjustment

