

NEW PRODUCT - PRELIMINARY BULLETIN

R416 ROTA-BEAM™

SUPER-LED® “ROTATING” BEACON

BEACONS

A solid-state medium profile “rotating” beacon, with a cast-aluminum base offers thirty-two rotating flash patterns to choose from. Enjoy all the reliable, high intensity benefits of Super-LEDs, with no moving parts to break, or motors to burn out!

Ideal for those tough applications that would have destroyed a traditional rotating beacon... but still offering the longer dwell time and sweep that were popular in those beacons.



R416RM



R416BF



R416AF



FEATURES

- Medium profile, solid-state rotating Super-LED beacon with a smooth self-cleaning outer dome.
- SAE Class 1 Certified.
- 100% Solid-state, no moving parts, no motors to wear out or malfunction. Conformal coated electronics provide moisture and vibration resistance.
- Thirty-two Scan-Lock™ flash patterns with varying rotating flash rates, offer you almost unlimited warning and signalling choices.
- Photocell for low power, optional.
- Synchronizable with up to eight other Whelen synchronous products.
- Permanent mount model supplied with six input pigtailed.
- Hi/Low power and cruise feature.
- Magnet and magnetic/suction mount models supplied with a ten foot straight cord, cigar plug with LED indicator On/Off switch and pattern control switch.
- Solid and split (front/rear) colors.
- Available in Amber, Blue, Red and/or White.
- Cast aluminum powder-coated base and rugged polycarbonate dome.
- Low current draw: 2-1/4 amps @ 12 VDC. 12 or 24 VDC versions available.
- Five year HDP® Heavy-Duty Professional warranty.

NOTE: the use of a magnetic mounted beacon on the roof of a vehicle in motion is not recommended and is at the sole discretion and risk of the user.



WHELEN®

R416 ROTA-BEAM™

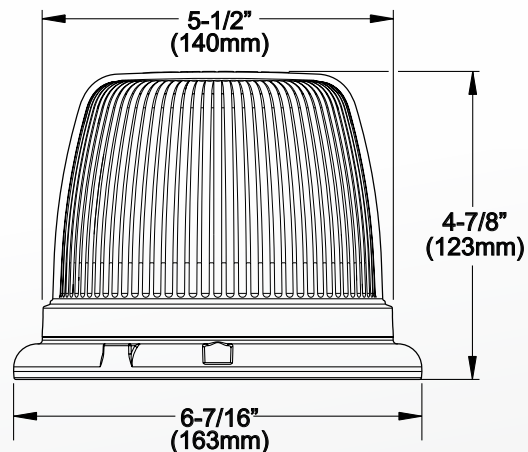
MODELS

- R416*FSingle color, permanent mount
- R416*MSingle color, magnetic mount
- R416*VSingle color, magnetic/suction mount
- R416**FSplit color, front/rear, permanent mount, Clear dome
- R416**MSplit color, front/rear, magnetic mount, Clear dome
- R416**VSplit color, front/rear, magnetic/suction mount, Clear dome

OPTIONS

- BBKT20Stainless steel shelf mount bracket
- MIRROR20.....Stainless steel West Coast mirror mount bracket
- RPHOTOPhoto cell option for Hi/Low power
- L360BGBBranch guard kit

* Replace symbol in model number with letter indicating color desired:
A = Amber; B = Blue; R = Red; W = White



WHELEN[®]
ENGINEERING COMPANY, INC.

51 Winthrop Road
Chester, Connecticut 06412-0684
(860) 526-9504 • Fax: (860) 526-4078
www.whelen.com

Whelen Engineering reserves the right to upgrade and improve products without notice.
NASCAR® is a registered trademark of the National Association for Stock Car Auto Racing, Inc.
© 2013 Whelen Engineering Company, Inc. Printed in U.S.A.
Code No. 12658B - 04/13

American Employees, American Manufacturing, American Pride!