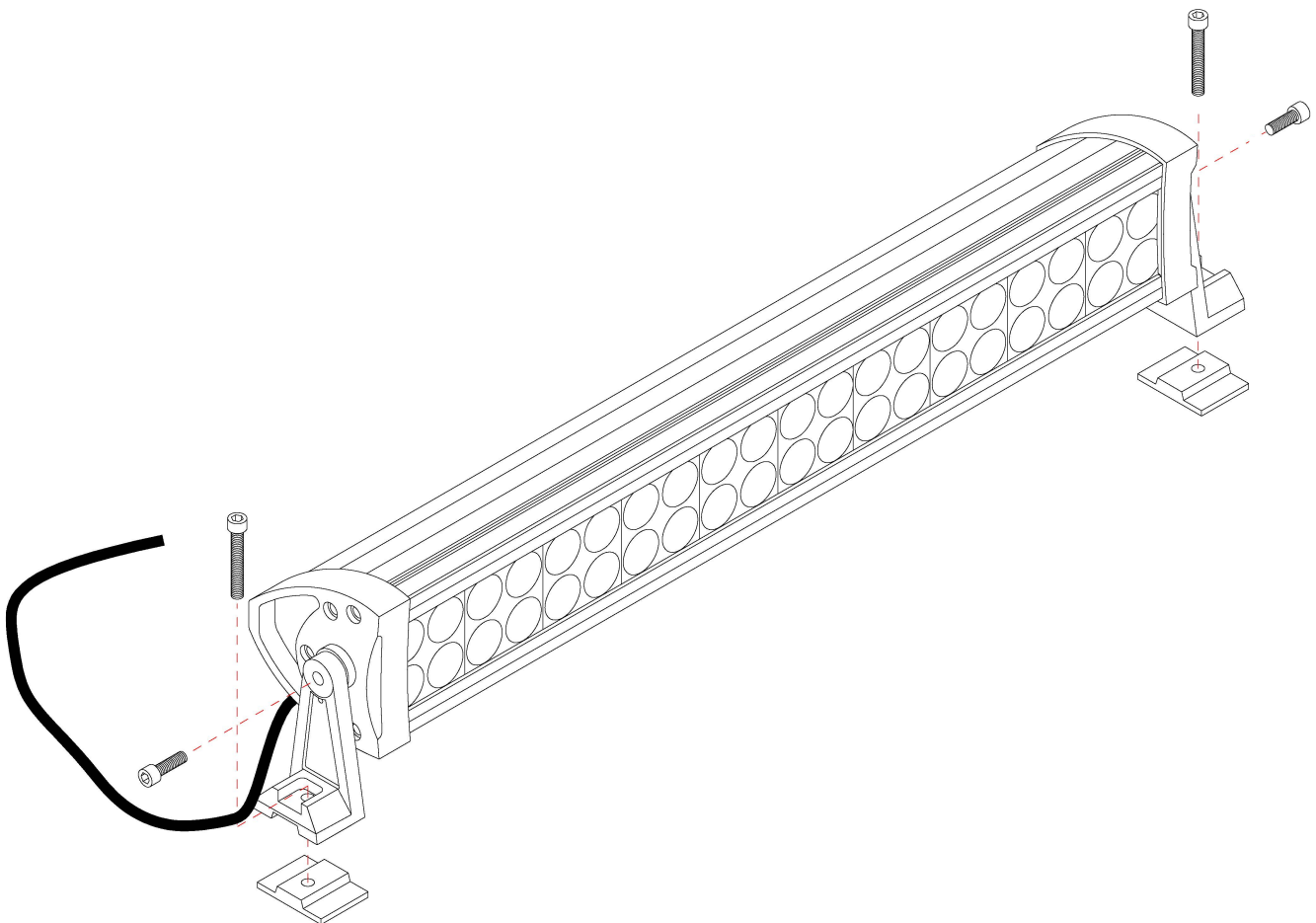


## Sirennet Night Patrol LED Lightbar

### INSTALLATION:

Select a location suitable for installation of the light. Take special care to ensure the light or wires do not obstruct the deployment of the airbag! Mark the location of the mounting holes. Drill holes at these locations using a 5/16" drill bit. Mount the brackets, and then mount the light to the brackets using the supplied bolts and washers as shown in the diagram below.



## SPECIFICATIONS:

Voltage: 12V- 24V DC

Amp Draw: 8.0 Amps Max

Light Output: 7200 Lumens

## WIRING:

Connect the Red positive wire to +12v to +24v Switched (fuse at 10 amp).

Connect the Black wires to - Ground

Connect the YELLOW wire to the wire that lights up the RIGHT warning LEDs.

Connect the ORANGE wire to the WHITE wire.

Connect the BLUE wire to the wire that lights up the LEFT warning LEDs.

To Flash White LEDs: Connect the GREEN wire to +12v to +24v (Switch).

To Steady Burn White LEDs: Connect the WHITE/BLUE wire to +12v to +24v (Switch).

To Flash Left & Right LEDs: Connect the WHITE/BLACK wire to +12v to +24v (Switch).

