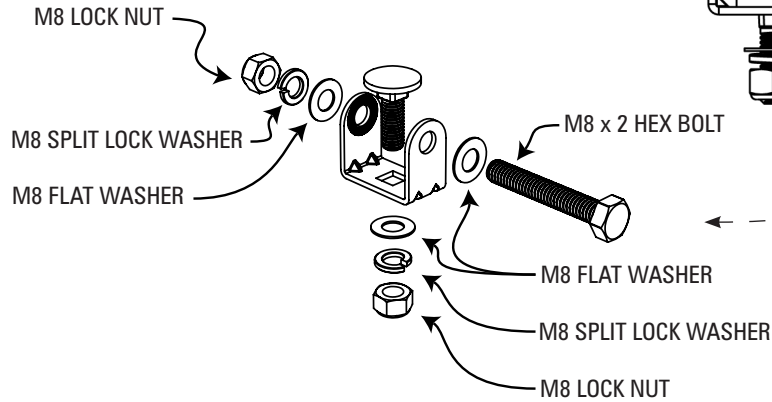
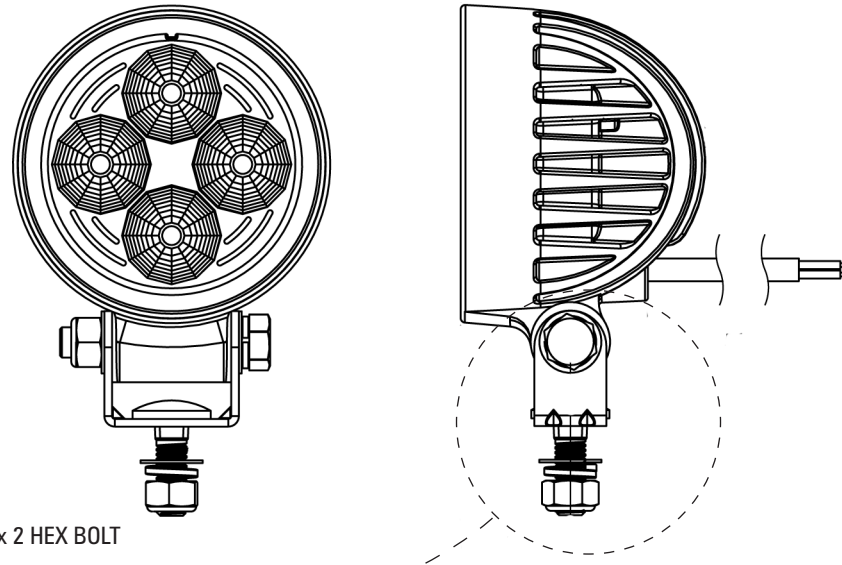


500 Lumen LED Worklight 3.3" ROUND W/ U-BRACKET

#EWLF0500DBDF0W (Flood)

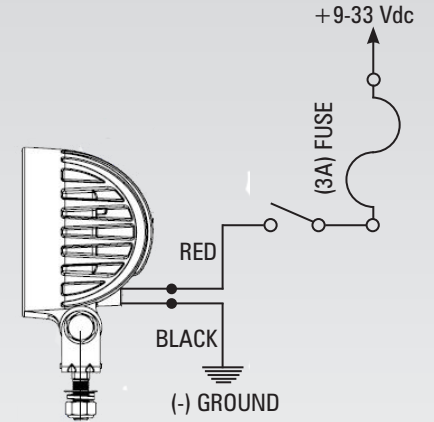


TECHNICAL SPECIFICATIONS

Overall Dimensions:	4.38"H x 3.25"W x 2.54"D
Input Voltage Range:	10-30Vdc
Current Draw:	1.0 Amps @ 12.0 Vdc, 0.5 Amps @ 24.0 Vdc
Wattage:	12 Watts
Reverse Polarity:	Protected
Load Dump:	Protected
Operating Temperature:	-40° to +65° C
Optical Distribution:	Flood
Color Temperature:	5000 - 6000 K
Number of LEDs:	4

ELECTRICAL CONNECTIONS:

See diagram below for required electrical connections. Connect the RED wire to +9-33 Vdc through a customer supplied 3A fuse and switch. Connect the BLACK wire to a reliable ground.



MECHANICAL ATTACHMENT:

Assemble Mounting bracket as shown in the diagram to the left. All bolts should be torqued to a maximum of 25 in-lbs.

WARNING

This product contains high intensity LED devices. To prevent eye damage, DO NOT stare into the light beam at close range.

**SoundOff
Signal**

To review our Limited Warranty Statement & Return Policy for this or any SoundOff Signal product please visit our website at www.soundoffsignal.com and select the "Warranty & Returns" link along the left column of our home page. If you have questions regarding this product please contact Technical Services, Monday - Friday, 8 am to 5 pm at 1.800.338.7337, press #4 to skip the automated message. Questions or comments that do not require immediate attention may be emailed to techsupport@soundoffsignal.com.

1.800.338.7337. / www.soundoffsignal.com / Thank you for trusting us with your safety!