



SNSP1

100 Watt Siren Speaker



MANUAL

This instruction manual serves as a guide for the Sirennet SNSP1-100 Watt Siren Speaker.

IMPORTANT! Please read through all the provided instructions and any listed warnings in regards to product use.

SNSP1 System Specification

Neodymium Magnet
Impedance of 11 Ohms
75 degree Sound Dispersion
Dimensions: 4" L x 7" W x 3" H
Power Rating: 100 Watts

Safety Regulations

The following provides all the information necessary to safely operate the previously listed products of Sirennet. Please read this manual thoroughly before installing or operating your new product in order to prevent any damage or injury. Failure to follow the listed instructions in the manual may result in damage to your products or personal injury.

- Proper installation of this product requires good knowledge of automotive systems, electronics and procedures.
- Please guarantee all vital components of the vehicle are not in danger of being damaged by drilling holes necessary for installation. Check all sides of the mounting surface before drilling any holes into the vehicle.
- Do not install this product on any way that interferes with the deployment of the air bag. Doing so may damage the effectiveness of the air bag and can lead to serious personal and vehicle injury. The installer will assume full responsibility of the proper installation of the new unit.
- Please clean the mounting surface before installation of the unit when using tape, brackets, magnet, Velcro, or suction cups.
- The product ground wire must be connected directly to the Negative (-) battery post for effective use of the unit. Please follow all wiring guidelines provided to guarantee long lifespan and productivity. Failing to follow these instructions may result in damage to the product.

Warranty

Sirennet warranties speakers for 24 months. If a warranty issue occurs, please contact customer support at 503-670-4700 or info@sirennet.com.

Warning! Utilizing non –factory screws and mounting brackets may result in loss of warranty coverage.

SNSP1 Wiring

Instructions:

Please note: There is no positive or negative speaker output wire.

Step 1: The SNSP1 does not include a siren unit. To activate a speaker, follow OEM instructions for installing the siren unit.

Step 2: To power a unit, extend both wires to the output terminal of the siren system. Follow siren OEM instructions to properly connect speaker unit to the siren system.

SNSP1 Mounting Instructions:

See the illustrations below for mounting information.

Step 1: Clean the selected mounting surface area.

Step 2: Using a 10 mm wrench, remove the three bolts connecting the speaker to the provided L-Shaped bracket. This will detach the speaker from the bracket (*see figure 3.0 & 3.2*).

Step 3: Place the L-Shaped bracket against the selected mounting surface and mark the spot for at least two mounting holes (*see figure 3.2*).

L-Shaped Bracket:
Top View

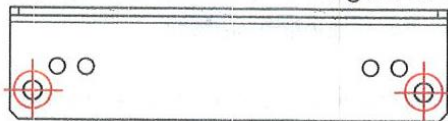
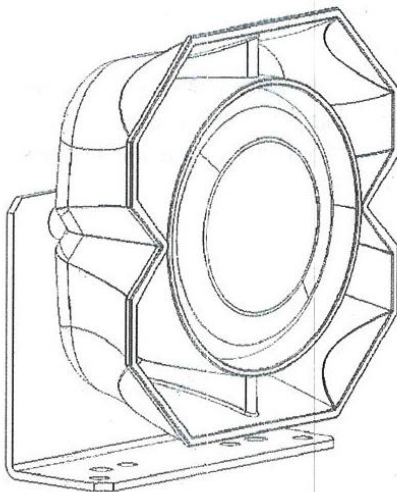


Figure 3.2

Figure 3.3



Step 4: Drill a minimum of two 0.25" holes in the mounting surface making sure not to damage any vital components of the mounting surface.

Step 5: Utilizing bolts larger than 0.25", secure the L-bracket to the surface mount.

Step 6: To install the speaker to the bracket, pass the speaker wires through an existing hole in the bottom of the bracket (*see figure 3.2*).

Step 7: To reattach the speaker to the bracket, place the three provided bolts through the back of the L-bracket and fasten the bolts (*see figure 3.0 & 3.1*).

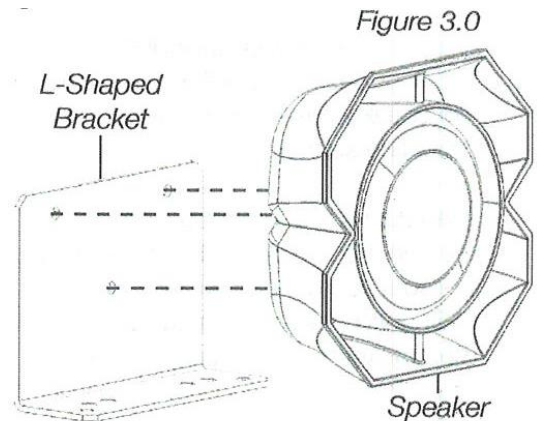


Figure 3.0

L-Shaped Bracket:
Front View

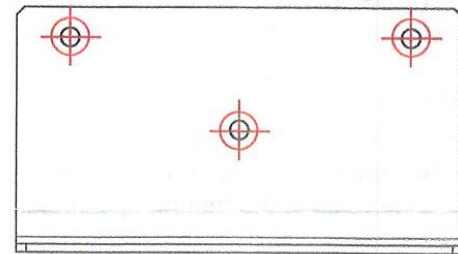


Figure 3.1