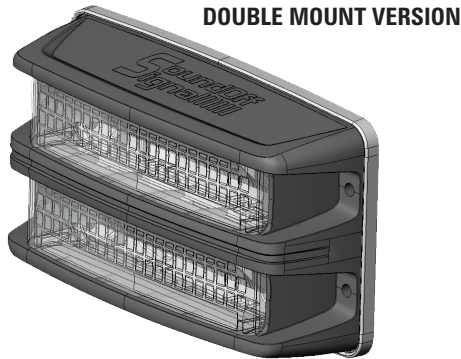
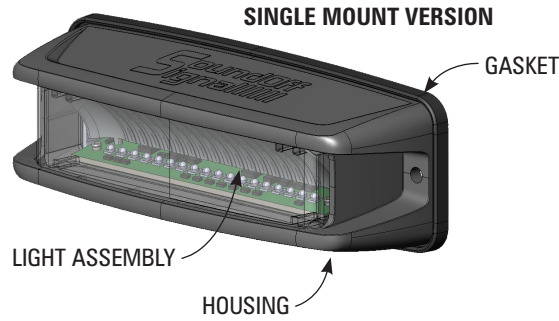




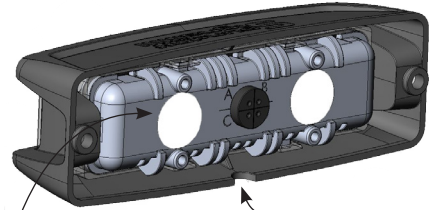
**SAE CLASS 1 SURFACE MOUNTS**



TECHNICAL SPECIFICATIONS		
SURFACE MOUNT NEXUS		
Single Mount Dimensions:	5.0"L x 1.72"H x 1.50"D	
Double Mount Dimensions:	5.0"L x 3.13"H x 1.50"D	
Input Voltage:	10 - 16 Vdc or 10 - 30 Vdc*	
CURRENT CONSUMPTION		
	10-16 Vdc	10-30 Vdc *
6, 12 Split & 18 Tri-Color	<1.0A @12.8 Vdc	<0.6A @ 25.6 Vdc
9 LED Single Color	<1.5A @ 12.8 Vdc	<0.9A @ 25.6 Vdc
12 LED Single Color	<2.0A @12.8 Vdc	<1.2A @ 25.6 Vdc

\* - Special Order

BACK VIEW OF SINGLE SURFACE MOUNT SHOWN W/O RUBBER MOUNTING GASKET - TYPICAL FOR BOTH VERSIONS-



DO NOT DAMAGE, BLOCK OR TOUCH THE BREATHER PATCHES

MAKE SURE DRAIN HOLE IS FACING DOWN

Please see reverse for Technical Specifications

**Important Information:**

- Warning devices are strictly regulated and governed by Federal, State and Municipal ordinances. These devices shall be used ONLY on approved vehicles. It is the sole responsibility of the user of these devices to ensure compliance.
- DO NOT connect this device to a strobe power supply. This product is self-contained and does not require an external power supply.



To review our Limited Warranty Statement & Return Policy for this or any SoundOff Signal product please visit our website at [www.soundoffsignal.com](http://www.soundoffsignal.com) and select the "Warranty & Returns" link along the left column of our home page. If you have questions regarding this product please contact Technical Services, Monday - Friday, 8 am to 5 pm at 1.800.338.7337, press #4 to skip the automated message. Questions or comments that do not require immediate attention may be emailed to [techsupport@soundoffsignal.com](mailto:techsupport@soundoffsignal.com).

1.800.338.7337. / [www.soundoffsignal.com](http://www.soundoffsignal.com) / Thank you for trusting us with your safety!

**INSTALLATION:**

**SURFACE MOUNT**

- 1) Establish a position on the vehicle. Use the gasket (provided) as a template to drill 1/4" diameter wire hole and pilot holes for mounting screws. Note: pilot holes are 4.91" on center. **Caution: Do not stretch gasket as this may change the required hole spacing.**

**INFORMATION FOR NEXUS SECONDARY:**

**WIRE HOOK-UP TABLE**

WIRE COLOR:	FUNCTION:
RED	Power
BLACK	Ground
GREEN	Sync2 *
WHITE	Pattern Select

\* Will NOT work w/ other sync products such as Ghost, LED3, & Interceptor.

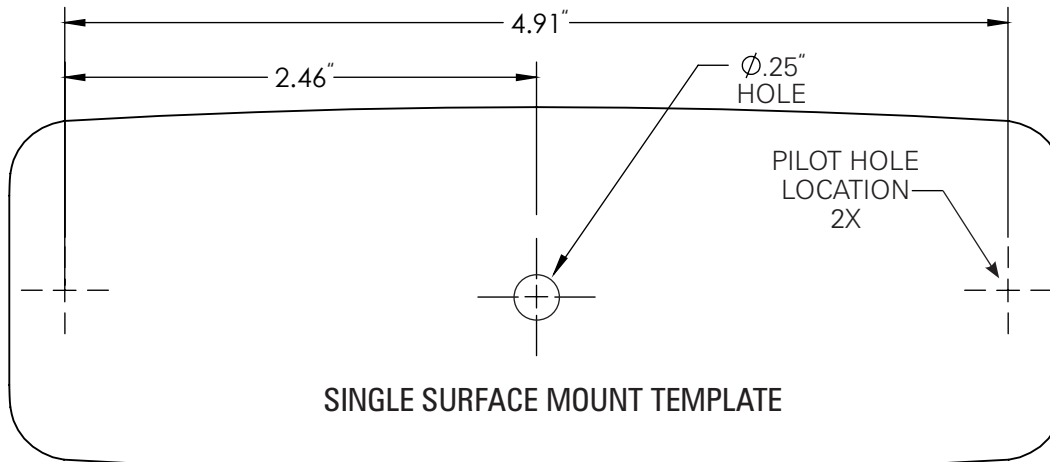
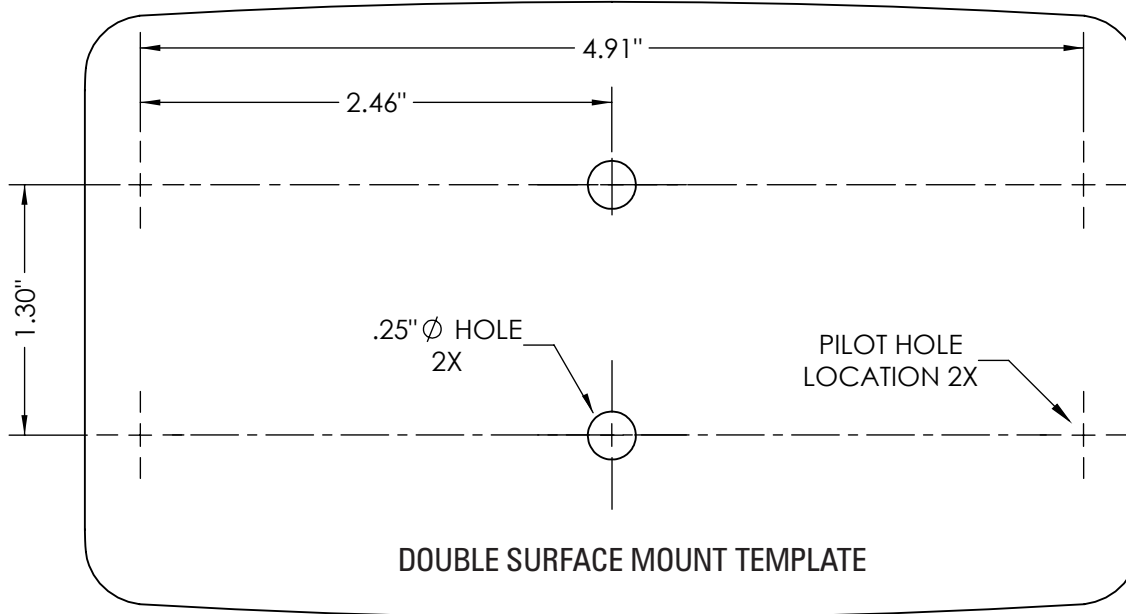




### SLAVE MODE

The NFORCE™ is capable of being activated through the use of a user supplied flasher by putting it in Slave Mode.

1. Permanently connect the NFORCE™ WHITE and BLACK wire to a good, convenient ground.
2. Connect the NFORCE™ RED wire, through a 5amp fuse, to the output of a +10-16Vdc switching flasher.



### PATTERN SELECT & SYNC CONFIGURATION INSTRUCTIONS

Connecting the WHITE wire to power will allow you to use the secondary feature on your Nexus Secondary Light.

#### SECONDARY FEATURE:

- 1-color module = Cruise Mode (10% brightness, non - flashing)
- 2 & 3 - color modules = Takedown (100% Steady - burn)
  - For 2-color modules this is the 2nd color
  - For 3-color modules, this is the 3rd color

#### SETUP LIGHTS:

- Sequence type
  - 1 or 2. The modules will flash simultaneously if they are set to the same number. The modules will have an alternate flash if set to different numbers.
- Color swap
  - Off or On. 2-color and 3-color modules, it changes which color flashes first.

This is useful when syncing multiple lights

Touching the WHITE wire to the ground will allow you to change various setting on the module.

SECONDS		USER INTERFACE	
FROM	TO	VISUAL FEEDBACK	ACTION TAKEN
0	1	STEADY-HIGH (60%)	FORWARD ONE PATTERN
1	2	STEADY-LOW (30%)	BACKWARD ONE PATTERN
2	3	OFF	COLOR SWAP (OFF OR ON )
3	4	STEADY - HIGH	SEQUENCE TYPE (1 OR 2)
4	5	STEADY - LOW	RESET TO PATTERN 1
5	6	OFF	FACTORY RESET (PATTERN 1, COLOR SWAP: OFF, SEQUENCE TYPE: 1)

If held longer than 6 seconds, the light will go back to flashing the current pattern and no action will be taken.





## PATTERN LIST

1 COLOR MODULE PATTERNS		
# COLORS	NUMBER	NAME
1	1	QUINT
	2	WARP
	3	INTER-CYCLE
	4	DOUBLE
	5	QUAD
	6	POWER PULSE
	7	ROAD RUNNER
	8	Q-SWITCH
	9	STEADY-BURN DRIVER ROADRUNNER (SEQUENCE TYPE 1: STEADY BURN, SEQUENCE TYPE 2: ROADRUNNER)
	10	STEADY-BURN DRIVER TITLE 13 QUAD (SEQUENCE TYPE 1: STEADY BURN, SEQUENCE TYPE 2: TITLE 13 QUAD)
	11	QUAD 2
	12	DOUBLE 2

2 COLOR MODULE PATTERNS		
# COLORS	NUMBER	NAME
2	1	QUINT
	2	WARP
	3	INTER-CYCLE
	4	DOUBLE
	5	QUAD
	6	POWER PULSE
	7	ROAD RUNNER
	8	Q-SWITCH
	9	STEADY-BURN DRIVER ROADRUNNER (SEQUENCE TYPE 1: STEADY BURN, SEQUENCE TYPE 2: ROADRUNNER)
	10	STEADY-BURN DRIVER TITLE 13 QUAD (SEQUENCE TYPE 1: STEADY BURN, SEQUENCE TYPE 2: TITLE 13 QUAD)
	11	QUAD 2
	12	DOUBLE 2
1	13	QUINT
	14	WARP
	15	INTER-CYCLE
	16	DOUBLE
	17	QUAD
	18	POWER PULSE
	19	ROAD RUNNER
	20	Q-SWITCH
	21	STEADY-BURN DRIVER ROADRUNNER (SEQUENCE TYPE 1: STEADY BURN, SEQUENCE TYPE 2: ROADRUNNER)
	22	STEADY-BURN DRIVER TITLE 13 QUAD (SEQUENCE TYPE 1: STEADY BURN, SEQUENCE TYPE 2: TITLE 13 QUAD)
	23	QUAD 2
	24	DOUBLE 2

3 COLOR MODULE PATTERNS		
# COLORS	NUMBER	NAME
3	1	QUINT
	2	WARP
	3	INTER-CYCLE
	4	DOUBLE
	5	QUAD
	6	POWER PULSE
	7	ROAD RUNNER
	8	Q-SWITCH
	9	STEADY-BURN DRIVER ROADRUNNER (SEQUENCE TYPE 1: STEADY BURN, SEQUENCE TYPE 2: ROADRUNNER)
	10	STEADY-BURN DRIVER TITLE 13 QUAD (SEQUENCE TYPE 1: STEADY BURN, SEQUENCE TYPE 2: TITLE 13 QUAD)
	11	QUAD 2
	12	DOUBLE 2
2	13	QUINT
	14	WARP
	15	INTER-CYCLE
	16	DOUBLE
	17	QUAD
	18	POWER PULSE
	19	ROAD RUNNER
	20	Q-SWITCH
	21	STEADY-BURN DRIVER ROADRUNNER (SEQUENCE TYPE 1: STEADY BURN, SEQUENCE TYPE 2: ROADRUNNER)
	22	STEADY-BURN DRIVER TITLE 13 QUAD (SEQUENCE TYPE 1: STEADY BURN, SEQUENCE TYPE 2: TITLE 13 QUAD)
	23	QUAD 2
	24	DOUBLE 2

