

# TECHNICAL DATA SHEET

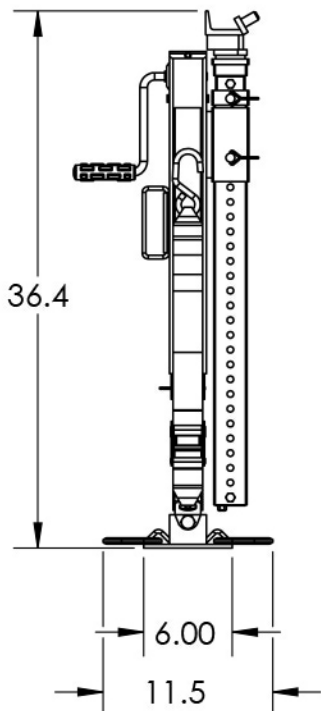
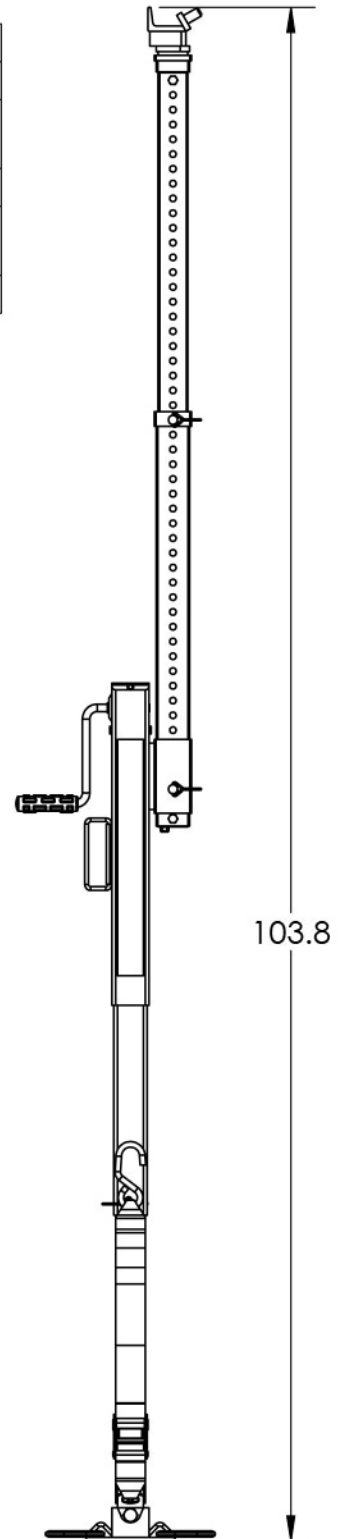
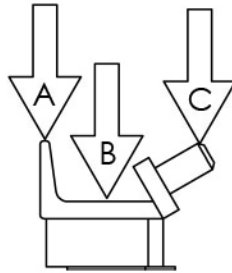
DATE UPDATED:  
1/11/2016

TITLE:  
SPACE SAVER JACK STAND

PART NO.  
SPS-JKST

**RES-Q-JACK**<sup>®</sup>  
STABILIZATION ELEVATED

LOAD RATINGS (2:1 SAFETY FACTOR)		
LOCATION		WEIGHT (LBS)
A	TIP OF CHAIN GRAB	2,850
B	COLUMN LOAD	4,000
C	TIP OF ROUND POINT	3,700
LIFTING WLL		4000



STRUT WEIGHT	54 LBS
--------------	--------

# TECHNICAL DATA SHEET

DATE UPDATED:  
1/11/2016

TITLE:  
SPACE SAVER JACK STAND

PART NO.  
SPS-JKST

**RES-Q-JACK**<sup>®</sup>  
STABILIZATION ELEVATED

## STORAGE DIMENSIONS

